

**Alca** PLAST®

# Product catalogue 2018

**SANITARY SYSTEMS**



CZECH  
PRODUCT



# Content

<b>PRE-WALL INSTALLATION SYSTEMS</b> _____	<b>9</b>	<b>OUTDOOR DRAINAGE SYSTEM</b> _____	<b>87</b>
Pre-wall installation systems _____	10	Outdoor drain channels _____	88
Pre-wall installation systems Slim _____	17	Universal rain drums _____	98
Sanitary ware _____	18	Universal rain drums – accessories _____	98
Pre-wall installation systems – accessories _____	18		
Insulation boards _____	20	<b>FLOOR DRAINS</b> _____	<b>101</b>
Flush plates for pre-wall installation systems _____	23	Stainless steel floor drains _____	102
Remote flushing _____	26	Floor drains with design grids _____	103
Sensor program _____	27	Floor drains with stainless steel grids _____	103
Mounting frames for plumbing fixtures _____	30	Floor drains with plastic grids _____	105
		Floor drains – parts _____	107
		Insulating strips _____	108
<b>VALVES</b> _____	<b>37</b>	<b>WASTES AND TRAPS</b> _____	<b>111</b>
Fill valves _____	38	Bath wastes and traps _____	112
Flush valves _____	39	Shower wastes and traps _____	116
Plastic WC cisterns _____	40	Wash-basin wastes and traps _____	119
Fill and flush kits _____	41	Metal products range _____	121
Valves – accessories _____	43	Sink wastes and traps _____	125
		Wash-basin and sink wastes and traps – accessories _____	129
<b>WC SEATS</b> _____	<b>45</b>	Urinal and bidet traps _____	133
WC seats Antibacterial _____	46	Traps for dripping condensation _____	134
WC seats Duroplast _____	46	Washing machine traps _____	135
WC seats SOFTCLOSE _____	46		
WC seats SLIM _____	48, 50	<b>FLEXI PIPES</b> _____	<b>137</b>
WC seats Basic _____	50	Flexi pipes _____	138
WC seats – hinges _____	52	Flexi pipes+ _____	139
		Two-component seals _____	139
<b>LINEAR DRAINS</b> _____	<b>55</b>	<b>WC ACCESSORIES</b> _____	<b>141</b>
Linear shower drains _____	56	WC flexi connectors _____	142
Linear shower drains Antivandal _____	67	WC connectors _____	142
Waste systems _____	68	Air admittance heads _____	144
Corner shower drain _____	69	Bath access doors _____	145
Plastic linear shower drains _____	70		
Linear shower drains – accessories _____	73	<b>INDEX</b> _____	<b>150</b>
Stainless steel strips for sloped floor _____	74		
Swimming pool grates _____	75		
<b>INDUSTRIAL STAINLESS STEEL DRAINAGE SYSTEM</b> _____	<b>77</b>		
Box drains _____	78		
Slotted drains _____	80		
Drainage channels _____	82		



New



For interior use



Diameter of the hole in the shower tray



Flushing system 2/4 l



For outdoor use



Material with antibacterial properties



Extended warranty



For use indoors and outdoors



Simple removal system



One-button START/STOP system



System with connector for removing the extraction



WC seat slow-closing safety system



Flushing DUAL 3/6 l



Combined odour trap SMART



Load class

# Czech tradition and world design together with us create Alcaplast



## QUALITY CONTROL

The production process is controlled by the quality management system ISO 9001:2008 and is certified by Det Norske Veritas. The products are tested and certified by the Institute for Testing and Certification ITC Zlín in the Czech Republic and OFI in Austria. All products are continuously monitored in our own in house laboratory guaranteeing a high level of quality and reliability.

## ALCA – A PREMIUM BRAND

Premium brand ALCA represents a number of design products thoroughly elaborated with high utility value. ALCAPLAST is the creator of the new trends in sanitary technology. Our cooperation with leading Czech designers in creating new product lines has won us several prestigious awards.

## COMPANY FOUNDATION

The year 2018 is a year of celebration for a Czech family business Alcaplast. Exactly twenty years ago, in 1998, the husband and wife Radka Prokopová and František Fabičovic started to produce the fill and flush valves. Currently Alcaplast with its wide range of products fits into the role of market leader indicating trends on the field of sanitary systems in Central and Eastern Europe, with expansion into many other countries.

## SIX INTERNATIONAL BRANCHES ALCAPLAST

We design our products so that they can simplify life across many countries. They are universal and they meet demanding international standards. ALCAPLAST distribution warehouses and sales teams in countries outside of the Czech Republic provide flexible communication and service to our customers.





**FLUSH PLATES NIGHT LIGHT AND FLAT – WORLD DESIGN**

Alcaplast is a trendsetter in the world of design. This is confirmed by two awards, which the company received in recent years. Prestigious iF Design Award 2018 evaluated the novelty – touch-free flush plate NIGHT LIGHT – the winner in the Product category of the Bathrooms section. Their predecessor, the collection of flush plates FLAT, was rewarded by the jury at the Red Dot Award product design competition in 2014.

**CZECH PRODUCTS FROM CZECH ENGINEERS**

Quality, technical solutions, innovation, design – these are the primary characteristics of ALCAPLAST products. High level of professionalism and skill of our Czech technicians is based on the historical tradition of Czech industry, which is over 100 years old, and renowned worldwide for its top quality products that are modern and extremely reliable.



**Alca** PLAST<sup>®</sup>



**ALCAPLAST ACADEMY**

The Alcaplast Academy was established in 2009. The training center was introduced to support education of Alcaplast customers based on the presentation and direct professional



training associated with our products. Alcaplast Academy was ranked second in the category of training centers in "Business Project 2010". Over 3,000 professionals pass through our training every year. They are a guarantee of professional installation and technical support in the market.



**Alca** PLAST<sup>®</sup> Academy

ŠKOLICÍ STŘEDISKO TRAINING CENTRE

**CZECH 100 BEST COMPANIES**

At the end of 2017, Alcaplast was among the top 100 Czech companies. This award confirms the exceptional position of Alcaplast in the economic system of the Czech Republic.

# We make your life easier and more stylish for 20 years

**1999**

First inlet fill valve CH11



**2000**

**2001**

New production facilities



Introduction of premium product range ALCA

**Alca PLAST® Academy**

SKOLICI STREDISKO TRAINING CENTRE

**2009**



Alcaplast Academy was established to support education of customers



**1999**

Bath pop-up waste

**2003**

Launch of production of pre-wall installation systems



**2009**



Launch of production of stainless steel shower drains ALCA

**1998**

**Alca PLAST®**



**COMPANY FOUNDATION**

The Czech family based company was founded in 1998



reddot award 2014 winner

We have been rewarded Red Dot Award 2014 for collection of flush plates FLAT

2015



Opening of production Hall D



We have been rewarded iF Design Award 2018 for flush plates NIGHT LIGHT

2012



Opening of production Hall B

2016



Victory of our Executive Director Radka Prokopová in the most prestigious managerial competition in the Czech Republic "Manager of the Year 2015"

2018 Opening of Hall C



We opened the largest production hall in history of the company with an area of 20 000 m<sup>2</sup>

2017

60 000 m<sup>2</sup> production area



CZECH 100 BEST

Success in the Czech 100 Best Competition has confirmed the exceptional position of Alcaplast in the economic system of the Czech Republic



SIX INTERNATIONAL BRANCHES ALCAPLAST EXPORT TO MORE THAN 60 COUNTRIES WORLDWIDE





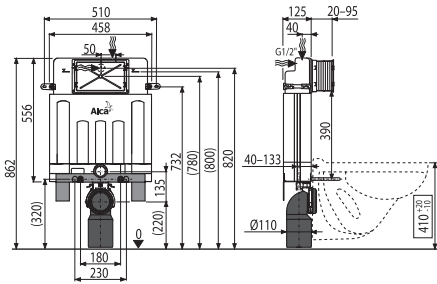
# Pre-wall installation systems

Pre-wall installation systems	10
Pre-wall installation systems Slim	17
Sanitary ware	18
Pre-wall installation systems – accessories	18
Insulation boards	20
Flush plates for pre-wall installation systems	23
Basic flush plates	24
Flush plates FLAT	25
Flush plates FLAT ALUNOX	25
Flush plates FLAT INOX	25
Flush plates FLAT COLOUR	25
Flush plates FLAT GLASS	25
Flush plates FLAT BRONZE-ANTIC	25
Touch-free flush plates	25
Flush plates FLAT ALUNOX illuminated	25
Antivandal flush plates	25
Remote flushing	26
Sensor program	27
Flush plates with sensor	25
Automatic WC flushing systems	27
Automatic flushing systems for urinals	27
Sensor program power supply units	28
Mounting frames for plumbing fixtures	30



### AM100/850 Alcamodul

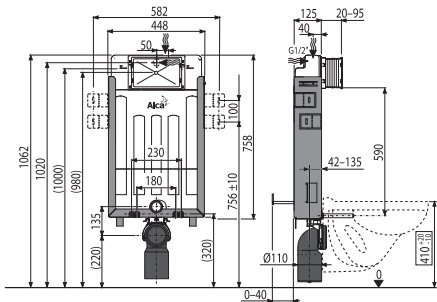
Pre-wall installation system for building into solid walls



Quantity (packing)	1 pc
Quantity (pallet)	20 pcs
Dimensions (piece)	1045x140x475 mm
Weight (piece)	7.0327 kg
Small/big flush	2.5-3.5 l/6-9 l
Headroom	862 mm

### AM115/1000 Renovmodul

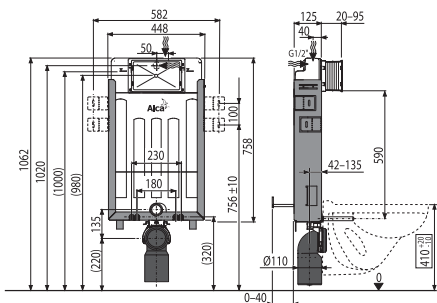
Pre-wall installation system for building into solid walls



Quantity (packing)	1 pc
Quantity (pallet)	20 pcs
Dimensions (piece)	1045x140x475 mm
Weight (piece)	9.7968 kg
Small/big flush	2.5-3.5 l/6-9 l
Headroom	1062 mm

### AM115/1000E Renovmodul

Pre-wall installation system ECOLOGY for building into solid walls



Quantity (packing)	1 pc
Quantity (pallet)	20 pcs
Dimensions (piece)	1045x140x475 mm
Weight (piece)	9.8327 kg
Small/big flush	2-4 l/3.5-6 l
Headroom	1062 mm

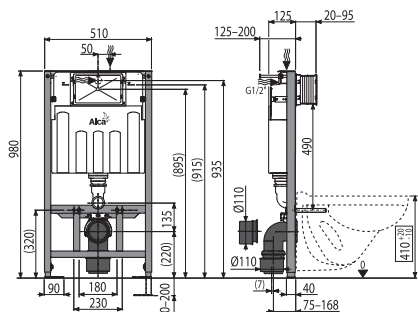






### AM101/1000 Sádromodul

Pre-wall installation system for dry build up (plasterboard)

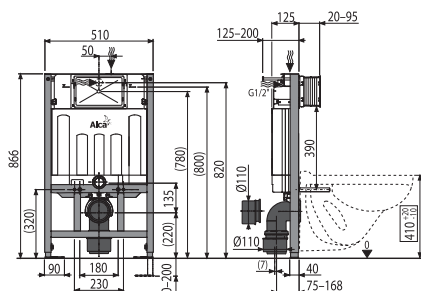


Quantity (packing)	1 pc
Quantity (pallet)	15 pcs
Dimensions (piece)	1130x145x520 mm
Weight (piece)	13.3652 kg
Small/big flush	2.5-3.5 l/6-9 l
Headroom	980 mm



### AM101/850 Sádromodul

Pre-wall installation system for dry build up (plasterboard)

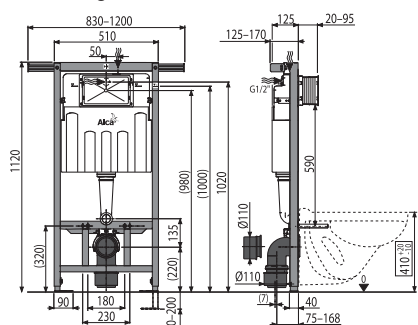


Quantity (packing)	1 pc
Quantity (pallet)	15 pcs
Dimensions (piece)	1130x145x520 mm
Weight (piece)	13.0316 kg
Small/big flush	2.5-3.5 l/6-9 l
Headroom	866 mm



### AM102/1120 Jádromodul

Pre-wall installation system for dry build up (especially for renovation of concrete panel housing units)



Quantity (packing)	1 pc
Quantity (pallet)	15 pcs
Dimensions (piece)	1130x145x520 mm
Weight (piece)	16.3248 kg
Small/big flush	2.5-3.5 l/6-9 l
Headroom	1120 mm



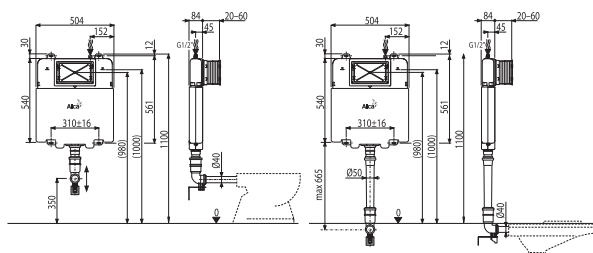






## AM1112 Basicmodul Slim

Wall concealed WC cistern



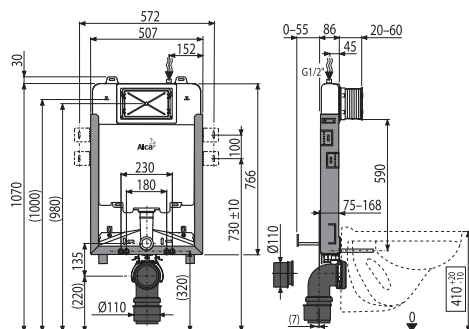
Quantity (packing)	1 pc
Quantity (pallet)	20 pcs
Dimensions (piece)	965x515x110 mm
Weight (piece)	5.2697 kg
Small/big flush	3 l/6 l
Headroom	1100 mm



**15**  
YEAR WARRANTY

## AM1115/1000 Renovmodul Slim

Pre-wall installation system for building into solid walls



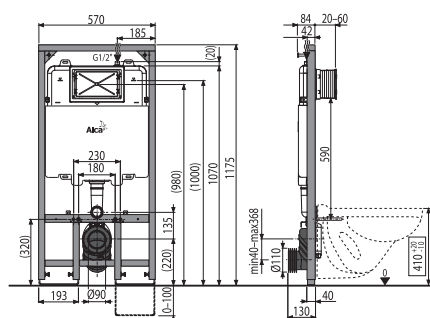
Quantity (packing)	1 pc
Quantity (pallet)	20 pcs
Dimensions (piece)	1086x528x145 mm
Weight (piece)	9.8337 kg
Small/big flush	3 l/6 l
Headroom	1070 mm



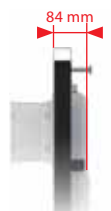
**15**  
YEAR WARRANTY

## AM1101/1200 Sádromodul Slim

Pre-wall installation system for dry build up (plasterboard)



Quantity (packing)	1 pc
Quantity (pallet)	15 pcs
Dimensions (piece)	1210x140x590 mm
Weight (piece)	16.4478 kg
Small/big flush	3 l/6 l
Headroom	1175 mm



**15**  
YEAR WARRANTY

**WC ALCA**

Wall-hung WC



Quantity (packing)	1 pc
Quantity (pallet)	12 pcs
Material	ceramics

**WS ALCA**

Waste sink with cover grid



Quantity (packing)	1 pc
Quantity (pallet)	12 pcs
Material	ceramics

**WC RIMFLOW**

Wall-hung WC

**N**



Quantity (packing)	1 pc
Quantity (pallet)	pcs
Material	ceramics

**AC01**

Bidet TREND

**N**



Quantity (packing)	1 pc
Quantity (pallet)	6 pcs
Material	ceramics

**P128**

Extraction fan for pre-wall installation systems with ventilation

**N**



Quantity (packing)	7 pc
Quantity (pallet)	112 pcs
Material	plastic

**P115**

Water flow speed regulator



Quantity (packing)	100 pcs
Quantity (pallet)	3200 pcs
Material	polypropylene

**M9006**

Elbow waste connector DN90/110 flexi



Quantity (packing)	25 pcs
Quantity (pallet)	400 pcs
Material	polypropylene

**P103**

Water supply console



Quantity (packing)	1 pcs
Quantity (pallet)	- pcs
Material	brass, powder-coated metal

**M906**

Elbow waste connector set DN90/110



Quantity (packing)	20 pcs
Quantity (pallet)	320 pcs
Material	polyethylene

### M908

Elbow waste connector set DN90/90



Quantity (packing)	20 pcs
Quantity (pallet)	320 pcs
Material	polyethylene

### M907

Reduction set DN90/110



Quantity (packing)	60 pcs
Quantity (pallet)	960 pcs
Material	polyethylene

### M909

Double elbow 90° with sealing



Quantity (packing)	10 pcs
Quantity (pallet)	160 pcs
Material	polyethylene

### MS906

Elbow waste connector set DN90/110 Slim



Quantity (packing)	10 pcs
Quantity (pallet)	160 pcs
Material	PVC

### M900

Accessories set



Quantity (packing)	15 pcs
Quantity (pallet)	240 pcs
Material	polypropylene, galvanized metal

### M9000

Complete extended accessories to be used with WC for handicapped



Quantity (packing)	10 pcs
Quantity (pallet)	160 pcs
Material	polypropylene, galvanized metal

### M901

Inlet seal + outlet + wrapping seal 45x58x25



Quantity (packing)	50 pcs
Quantity (pallet)	800 pcs
Material	polypropylene

### M147

Extended connector to be used with WC for handicapped



Quantity (packing)	75 pcs
Quantity (pallet)	2100 pcs
Material	polypropylene

### M902

Drainage seal + connector + connector seal



Quantity (packing)	20 pcs
Quantity (pallet)	320 pcs
Material	polypropylene

PRE-WALL INSTALLATION SYSTEMS

VALVES

WC SEATS

LINEAR DRAINS

INDUSTRIAL STAINLESS STEEL DRAINAGE SYSTEM

OUTDOOR DRAINAGE SYSTEM

FLOOR DRAINS

WASTES AND TRAPS

FLEXI PIPES

WC ACCESSORIES

**M148**

Complete extended accessories to be used with WC for handicapped



Quantity (packing)	15 pcs
Quantity (pallet)	240 pcs
Material	polypropylene

**M90**

Legs for pre-wall installation systems



Quantity (packing)	1 pcs
Quantity (pallet)	- pcs
Material	powder-coated metal

**P118**

Prolonged legs for pre-wall installation systems



Quantity (packing)	1 pcs
Quantity (pallet)	- pcs
Material	powder-coated metal

**M918**

Adapter for corner installations



Quantity (packing)	40 pcs
Quantity (pallet)	1120 pcs
Material	plastic, galvanized metal, stainless steel

**M91**

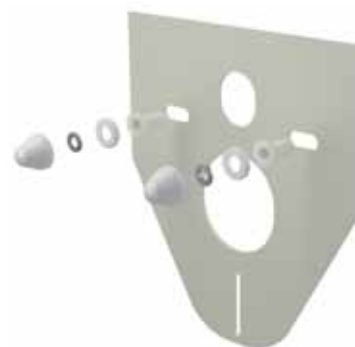
Noise insulation for wall-hung WC toilets and bidets



Quantity (packing)	150 pcs
Quantity (pallet)	600 pcs
Material	XPLE

**M910**

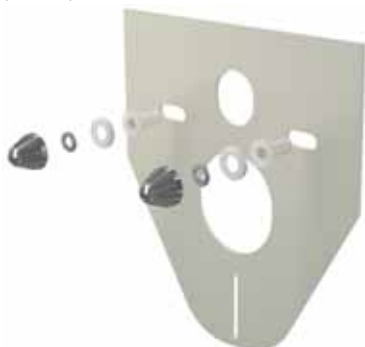
Noise insulation for wall-hung WC toilets and bidets with accessories including cover cap (white)



Quantity (packing)	50 pcs
Quantity (pallet)	800 pcs
Material	XPLE

**M910CR**

Noise insulation for wall-hung WC toilets and bidets with accessories including cover cap (chrome)



Quantity (packing)	50 pcs
Quantity (pallet)	800 pcs
Material	XPLE

**M930**

Noise insulation for wall-hung WC toilets and bidets with accessories including cover cap (white)



Quantity (packing)	50 pcs
Quantity (pallet)	800 pcs
Material	XPLE

**M930CR**

Noise isolation for wall-hung WC toilets and bidets with accessories including cover cap (chrome)



Quantity (packing)	50 pcs
Quantity (pallet)	800 pcs
Material	XPLE

**M920**

Noise insulation for floor standing WC toilets and bidets



Quantity (packing)	150 pcs
Quantity (pallet)	600 pcs
Material	XPLE

**M940**

Noise insulation for wall-hung wash-basins



Quantity (packing)	150 pcs
Quantity (pallet)	600 pcs
Material	XPLE

**M950**

Noise insulation for wall-hung urinals



Quantity (packing)	60 pcs
Quantity (pallet)	240 pcs
Material	XPLE

# Touch-free flush plates

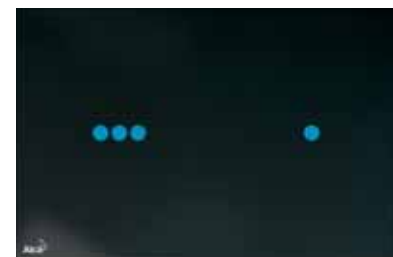
We introduce our new touch-free flush plates NIGHT LIGHT, the winner of the international competition iF Design Award 2018 in the Product category of the Bathrooms section. Three design variants and sophisticated system of backlight settings and other parameters enables a unique look to any bathroom or toilet.



**NIGHT LIGHT-1** N  
 Touch-free flush plate for pre-wall installation systems – illuminated, glass-black

**NIGHT LIGHT-2** N  
 Touch-free flush plate for pre-wall installation systems – illuminated, glass-black

**NIGHT LIGHT-3** N  
 Touch-free flush plate for pre-wall installation systems – illuminated, glass-black



Quantity (packing)	6 pcs
Quantity (pallet)	96 pcs
Material	glass

# Flush plates FLAT

Elegant and beautiful – this is the right characteristic of the flush plates FLAT. They were designed for the most demanding customers. They meet the demands of modern interior design by their original and clean lines which match the other elements in the bathroom. The technical solution of the flush plates is also new. The mechanism is fully recessed into the wall, so the flush plate effectively merges with the surrounding tiles. The plate itself is made of brushed metal, on which fingerprints are not visible.

Furthermore, the FLAT flush plates are fully compatible with all our ALCA pre-wall installation systems.

Flush plates FLAT won in a prestigious product-design competition Red Dot Award 2014 in the category Product Design 2014.



red**dot** award 2014  
winner

## FUN

Flush plate for pre-wall installation systems, alunox-matt



## STRIPE

Flush plate for pre-wall installation systems, alunox-matt/polished



## TURN

Flush plate for pre-wall installation systems, alunox-matt/polished



## AIR

Flush plate for pre-wall installation systems, alunox-matt



## Barbora Škorpilová

Architect, designer and the creator of the FLAT flush plates, NIGHT LIGHT and M370–M475 for ALCAPLAST, Barbora is today known for her association with the MIMOLIMIT studio which she founded in 2001. The studio specializes in interior design for both public and private buildings, in addition to standard architectural services.



Quantity (packing)	10 pcs
Quantity (pallet)	280 pcs
Material	anodized aluminum, stainless steel

FROM III. Q

**THIN** (THICKNESS 5 MM)



M570 White



M571 Chrome-polished



M572 Chrome-matt



M578 Black-matt



M575 Gold



**BASIC**



M70 White



M71 Chrome-polished



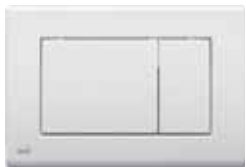
M72 Chrome-matt



M73 Chrome-polished/matt



M75 Gold



M270 White



M271 Chrome-polished



M272 Chrome-matt



M278 Black-matt



M275 Gold



M370 White



M371 Chrome-polished



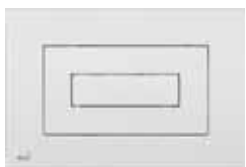
M372 Chrome-matt



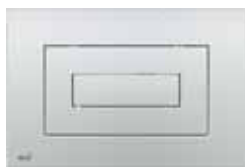
M378 Black



M375 Gold



M470 White



M471 Chrome-polished



M472 Chrome-matt



M478 Black



M475 Gold



M1710 White



M1710-8 White/black



M1741 Chrome-polished



M1718 Black



M1713 Chrome-polished/  
matt



M1720-1 White/chrome-  
polished



M1721 Chrome-polished



M1722 Chrome-matt



M1728-2 Black/chrome-matt



M1725 Gold

Quantity (packing)	25 pcs
Quantity (pallet)	700 pcs
Material	plastic



**FLAT ALUNOX (ALUMINUM) / FLAT INOX (STAINLESS STEEL)**


**TURN** Alunox-matt/polished  
**TURN-INOX** Inox-semi matt/polished



**STING** Alunox-matt/polished  
**STING-INOX** Inox-semi matt/polished



**FUN** Alunox-matt  
**FUN-INOX** Inox-semi matt



**STRIPE** Alunox-matt/polished  
**STRIPE-INOX** Inox-semi matt/polished



**AIR** Alunox-matt  
**AIR-INOX** Inox-semi matt

**FLAT COLOUR (COLOUR HIGH GLOSS)**


**FUN-WHITE** Inox-white polished



**STRIPE-WHITE** Inox-white polished



**STRIPE-BLACK** Inox-black polished

**FLAT GLASS (GLASS)**


**STRIPE-GL1200** Glass-white



**STRIPE-GL1204** Glass-black

Quantity (packing)	10 pcs
Quantity (pallet)	280 pcs
FLAT ALUNOX material	anodized aluminum, stainless steel
FLAT COLOUR material	stainless steel, painted colour finish
FLAT GLASS material	stainless steel, glass
AIR LIGHT material	anodized aluminum, stainless steel
FLAT BRONZE-ANTIC material	brass with bronze-antic finish

**AIR LIGHT (ALUMINUM WITH ILLUMINATION)**


**AIR LIGHT** Alunox-matt

**FLAT ANTIC (BRONZE-ANTIC)**


**FUN-ANTIC** Bronze-antic

**TOUCH-FREE (GLASS)**


**NIGHT LIGHT-1**  
Glass-black



**NIGHT LIGHT-2**  
Glass-black



**NIGHT LIGHT-3**  
Glass-black

Quantity (packing)	6 pcs
Quantity (pallet)	96 pcs
Material	glass

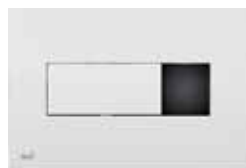
**ANTIVANDAL**


**M279** Metal



**M279S** Metal  
(AC power supply)

**M279SB** Metal  
(DC battery operated)



**M370S** White  
(AC power supply)

**M370SB** White  
(DC battery operated)



**M371S** Chrome-polished  
(AC power supply)

**M371SB** Chrome-polished  
(DC battery operated)

**WITH SENSOR**

Quantity (packing)	10 pcs
Quantity (pallet)	280 pcs
Material	stainless steel

Quantity (packing)	10 pcs
Quantity (pallet)	160 pcs
Material	plastic

**MPO10**

Remote pneumatic flush for hand operation, white, installation: into the wall



Quantity (packing)	10 pcs
Quantity (pallet)	160 pcs
Material	ABS, polypropylene

**MPO11**

Remote pneumatic flush for hand operation, chrome-polished, installation: into the wall



Quantity (packing)	10 pcs
Quantity (pallet)	160 pcs
Material	chrome-plated plastic

**MPO12**

Remote pneumatic flush for foot operation, metal, installation: into the floor



Quantity (packing)	10 pcs
Quantity (pallet)	160 pcs
Material	stainless steel, ABS, polypropylene

**MPO13**

Remote pneumatic flush for foot operation, metal, installation: onto the wall



Quantity (packing)	10 pcs
Quantity (pallet)	160 pcs
Material	stainless steel, ABS, polypropylene

**P120**

Cover plate for pre-wall installation systems, alunox-matt



Quantity (packing)	25 pcs
Quantity (pallet)	700 pcs
Material	anodized aluminum

### ASP3

Automatic WC flushing system, chrome, 12 V (AC power supply)

### ASP3-B

Automatic WC flushing system, chrome, 6 V (DC battery operated)



Quantity (packing)	12 pcs
Quantity (pallet)	192 pcs
Material	stainless steel, chrome-plated plastic

### ASP3-K

Automatic WC flushing system, metal, 12 V (AC power supply)

### ASP3-KB

Automatic WC flushing system, metal, 6 V (DC battery operated)



Quantity (packing)	12 pcs
Quantity (pallet)	192 pcs
Material	stainless steel

### ASP3-KT

Automatic WC flushing system, metal, manual, 12 V (AC power supply)

### ASP3-KBT

Automatic WC flushing system, metal, manual, 6 V (DC battery operated)



Quantity (packing)	12 pcs
Quantity (pallet)	192 pcs
Material	stainless steel

### ASP4

Automatic flushing system for urinal, chrome, 12 V (AC power supply)

### ASP4-B

Automatic flushing system for urinal, chrome, 6 V (DC battery operated)



Quantity (packing)	16 pcs
Quantity (pallet)	256 pcs
Material	stainless steel, chrome-plated plastic

### ASP4-K

Automatic flushing system for urinal, metal, 12 V (AC power supply)

### ASP4-KB

Automatic flushing system for urinal, metal, 6 V (DC battery supply)



Quantity (packing)	16 pcs
Quantity (pallet)	256 pcs
Material	stainless steel

### ASP4-KT

Automatic flushing system for urinal, metal, manual, 12 V (AC power supply)



Quantity (packing)	16 pcs
Quantity (pallet)	256 pcs
Material	stainless steel

**AEZ310**

Power supply 230 V AC/12 V DC/10 W, IP20



Quantity (packing) 1 pc  
Quantity (pallet) – pcs

**AEZ311**

Power supply 230 V AC/12 V DC/30 W, IP20



Quantity (packing) 1 pc  
Quantity (pallet) – pcs

**AEZ320**

Power supply 230 V AC/12 V DC/18 W, IP67



Quantity (packing) 1 pc  
Quantity (pallet) – pcs

**AEZ331**

Battery for flush plates with sensors



Quantity (packing) 1 pc  
Quantity (pallet) – pcs

**AEZ340**

Battery charger AEZ331



Quantity (packing) 1 pc  
Quantity (pallet) – pcs

## POWER SOURCE LOAD TABLE

Title	Code					Title				Code		
Sensor flush plates (AC power supply)	M279S, M370S, M371S	710 mA	12 V	8.52 W	1	3	2	—	10 VA	12 V	Power supply 230 V AC/12 V DC/10 W, IP20	AEZ310
Sensor urinals (AC power supply)	ASP4, ASP4-K, ASP4-KT	710 mA	12 V	8.52 W	1	3	2	—	30 VA	12 V	Power supply 230 V AC/12 V DC/30 W, IP20	AEZ311
Sensor WC (AC power supply)	ASP3, ASP3-K, ASP3-KT	710 mA	12 V	8.52 W	1	3	2	—	18 VA	12 V	Power supply 230 V AC/12 V DC/18 W, IP67	AEZ320
Sensor flush plates (DC battery operated)	M279SB, M370SB, M371SB	370 mA	6 V	2.22 W	—	—	—	6	1.3 Ah	6 V	Battery for flush plates with sensors Battery charger AEZ331	AEZ331 + AEZ340
Sensor urinals (DC battery operated)	ASP4-B, ASP4-KB	370 mA	6 V	2.22 W	—	—	—	6				
Sensor WC (DC battery operated)	ASP3-B, ASP3-KB, ASP3-KBT	370 mA	6 V	2.22 W	—	—	—	6				
AIR LIGHT – White	AEZ110	250 mA	12 V	3.0 W	3	10	6	—				
AIR LIGHT – Blue	AEZ111	240 mA	12 V	2.9 W	3	10	6	—				
AIR LIGHT – Green	AEZ112	250 mA	12 V	3.0 W	3	10	6	—				
AIR LIGHT – Red	AEZ113	250 mA	12 V	3.0 W	3	10	6	—				
AIR LIGHT – Rainbow	AEZ114	610 mA	12 V	7.3 W	1	4	2	—				
ALCA LIGHT – White	AEZ120		12 V	5.0 W	2	6	3	—				
ALCA LIGHT – Blue	AEZ121		12 V	5.0 W	2	6	3	—				
ALCA LIGHT – Green	AEZ122		12 V	5.0 W	2	6	3	—				
ALCA LIGHT – Red	AEZ123		12 V	5.0 W	2	6	3	—				
ALCA LIGHT – Rainbow	AEZ124		12 V	12.0 W	0	2	1	—				

PRE-WALL INSTALLATION SYSTEMS

VALVES

WC SEATS

LINEAR DRAINS

INDUSTRIAL STAINLESS STEEL DRAINAGE SYSTEM

OUTDOOR DRAINAGE SYSTEM

FLOOR DRAINS

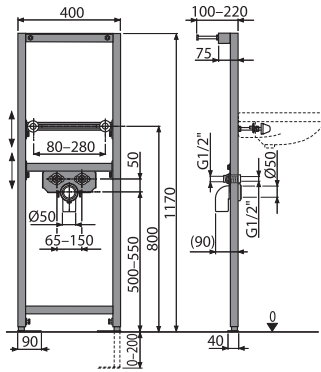
WASTES AND TRAPS

FLEXI PIPES

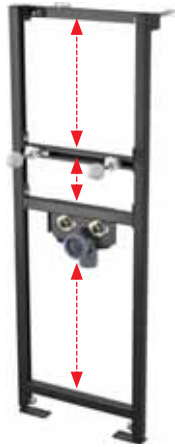
WC ACCESSORIES

**A104/1200**

Mounting frame for wash-basin



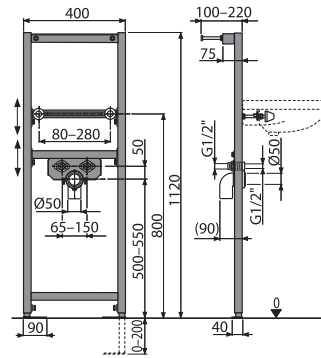
Quantity (packing)	1 pc
Quantity (pallet)	30 pcs
Dimensions (piece)	1195x410x82 mm
Weight (piece)	8.2992 kg
Headroom	1170 mm



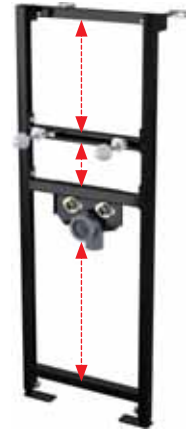
**15**  
YEAR WARRANTY

**A104/1120**

Mounting frame for wash-basin



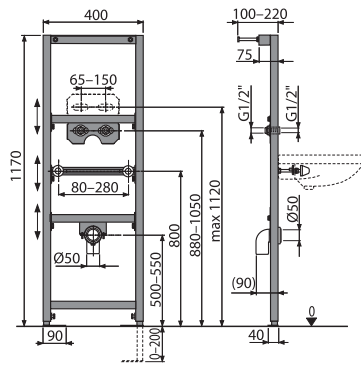
Quantity (packing)	1 pc
Quantity (pallet)	30 pcs
Dimensions (piece)	1195x82x410 mm
Weight (piece)	5.4278 kg
Headroom	1120 mm



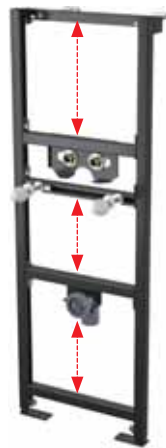
**15**  
YEAR WARRANTY

**A104A/1200**

Mounting frame for wash-basin and faucet



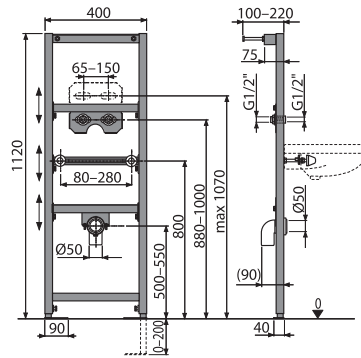
Quantity (packing)	1 pc
Quantity (pallet)	30 pcs
Dimensions (piece)	1195x410x82 mm
Weight (piece)	9.12 kg
Headroom	1170 mm



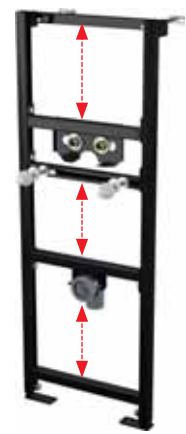
**15**  
YEAR WARRANTY

**A104A/1120**

Mounting frame for wash-basin and faucet



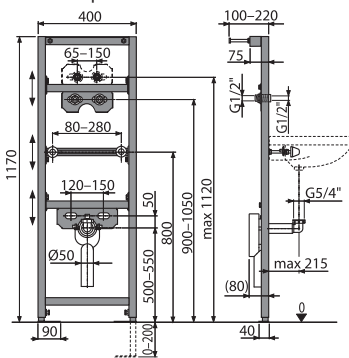
Quantity (packing)	1 pc
Quantity (pallet)	30 pcs
Dimensions (piece)	1195x82x410 mm
Weight (piece)	6.228 kg
Headroom	1120 mm



**15**  
YEAR WARRANTY

**A104AVS/1200**

Mounting frame for wash-basin and faucet with built-in trap



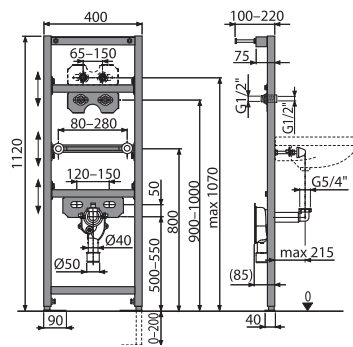
Quantity (packing)	1 pc
Quantity (pallet)	30 pcs
Dimensions (piece)	1195x410x82 mm
Weight (piece)	9.503 kg
Headroom	1170 mm



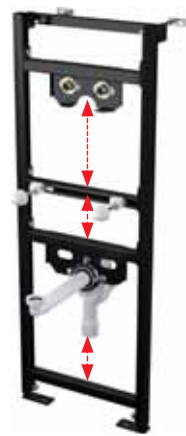
**15**  
YEAR WARRANTY

**A104AVS/1120**

Mounting frame for wash-basin and faucet with built-in trap



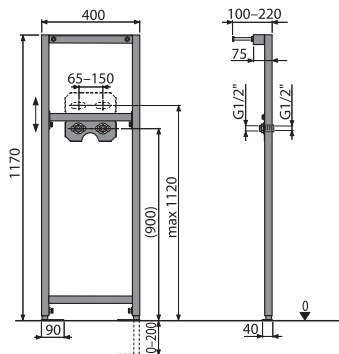
Quantity (packing)	1 pc
Quantity (pallet)	30 pcs
Dimensions (piece)	1195x82x410 mm
Weight (piece)	6.614 kg
Headroom	1120 mm



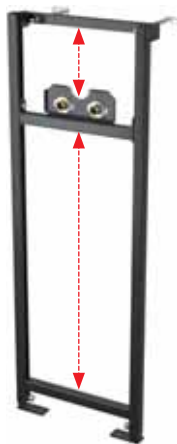
**15**  
YEAR WARRANTY

**A104B/1200**

Mounting frame for faucet

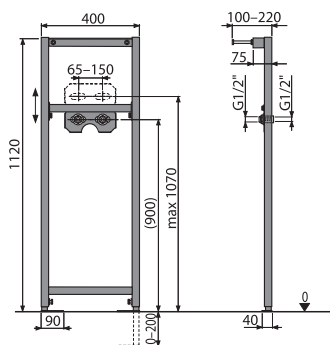


Quantity (packing)	1 pc
Quantity (pallet)	30 pcs
Dimensions (piece)	1195x410x82 mm
Weight (piece)	2.2264 kg
Headroom	1170 mm

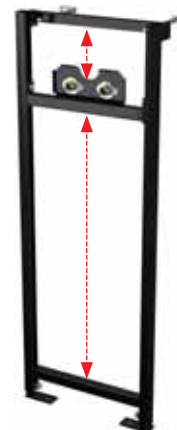

**15**  
 YEAR WARRANTY

**A104B/1120**

Mounting frame for faucet

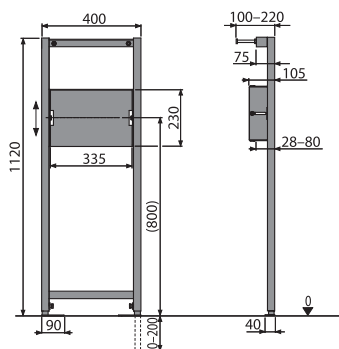


Quantity (packing)	1 pc
Quantity (pallet)	30 pcs
Dimensions (piece)	1195x82x410 mm
Weight (piece)	4.3765 kg
Headroom	1120 mm


**15**  
 YEAR WARRANTY

**A104PB/1120**

Mounting frame for built-in mixer

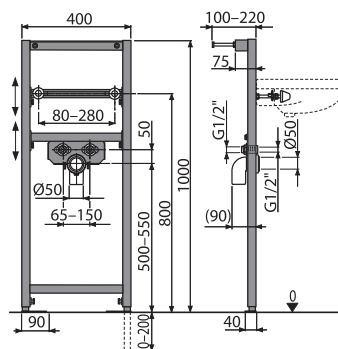


Quantity (packing)	1 pc
Quantity (pallet)	30 pcs
Dimensions (piece)	1195x410x82 mm
Weight (piece)	4.7348 kg
Headroom	1120 mm

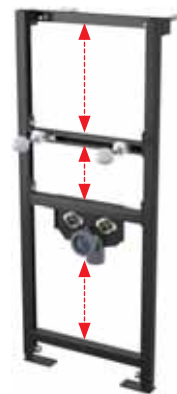

**15**  
 YEAR WARRANTY

**A104/1000**

Mounting frame for wash-basin

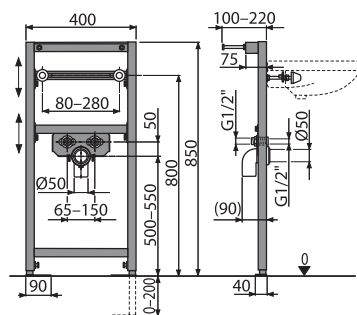


Quantity (packing)	1 pc
Quantity (pallet)	30 pcs
Dimensions (piece)	1195x410x82 mm
Weight (piece)	7.8799 kg
Headroom	1000 mm

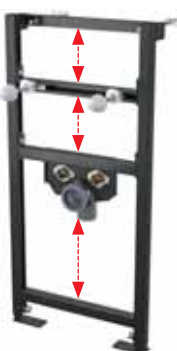

**15**  
 YEAR WARRANTY

**A104/850**

Mounting frame for wash-basin

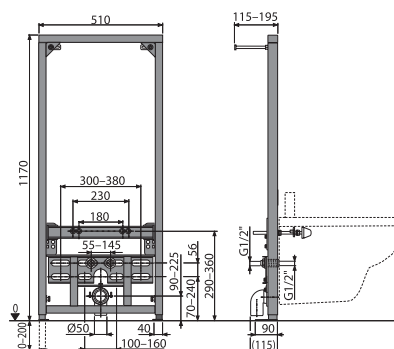


Quantity (packing)	1 pc
Quantity (pallet)	30 pcs
Dimensions (piece)	1195x410x82 mm
Weight (piece)	5.9232 kg
Headroom	850 mm


**15**  
 YEAR WARRANTY

**A105/1200**

Mounting frame for bidet

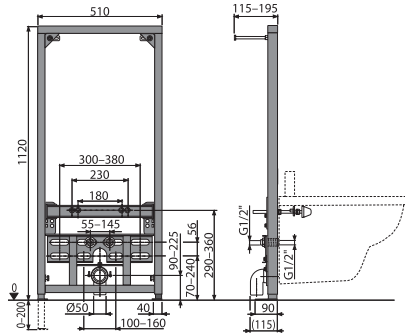


Quantity (packing)	1 pc
Quantity (pallet)	20 pcs
Dimensions (piece)	1190x523x90 mm
Weight (piece)	11.7195 kg
Headroom	1170 mm


**15**  
 YEAR WARRANTY

**A105/1120**

Mounting frame for bidet

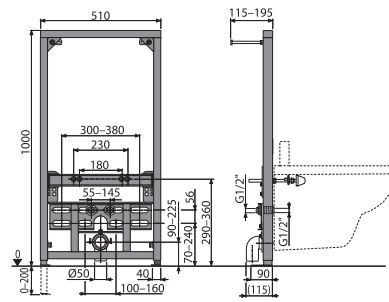


Quantity (packing)	1 pc
Quantity (pallet)	18 pcs
Dimensions (piece)	1190x90x523 mm
Weight (piece)	11.8373 kg
Headroom	1120 mm



**A105/1000**

Mounting frame for bidet

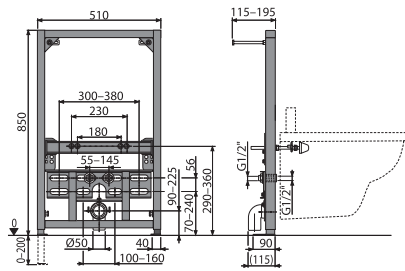


Quantity (packing)	1 pc
Quantity (pallet)	20 pcs
Dimensions (piece)	1190x523x90 mm
Weight (piece)	10.9313 kg
Headroom	1000 mm



**A105/850**

Mounting frame for bidet

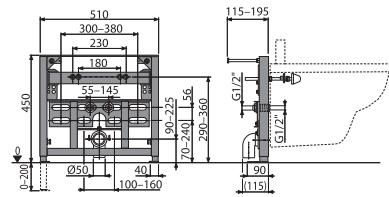


Quantity (packing)	1 pc
Quantity (pallet)	20 pcs
Dimensions (piece)	1190x523x90 mm
Weight (piece)	10.4653 kg
Headroom	850 mm



**A105/450**

Mounting frame for bidet

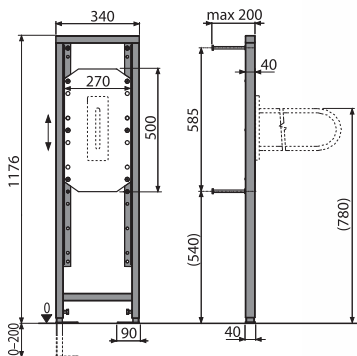


Quantity (packing)	1 pc
Quantity (pallet)	20 pcs
Dimensions (piece)	520x450x90 mm
Weight (piece)	8.724 kg
Headroom	450 mm



**A106/1200**

Mounting frame for handle

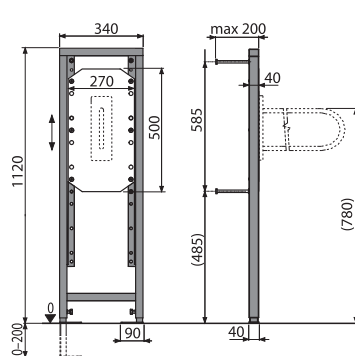


Quantity (packing)	1 pc
Quantity (pallet)	30 pcs
Dimensions (piece)	1195x410x82 mm
Weight (piece)	11.2411 kg
Headroom	1176 mm



**A106/1120**

Mounting frame for handle



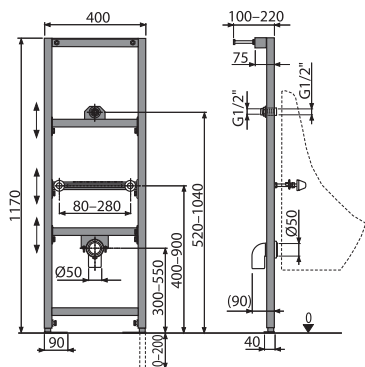
Quantity (packing)	1 pc
Quantity (pallet)	30 pcs
Dimensions (piece)	1195x410x82 mm
Weight (piece)	11.2151 kg
Headroom	1120 mm



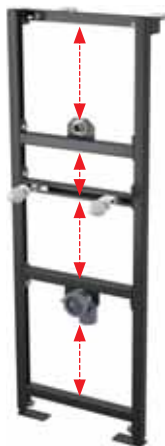


**A107/1200**

Mounting frame for urinal



Quantity (packing)	1 pc
Quantity (pallet)	30 pcs
Dimensions (piece)	1195x410x82 mm
Weight (piece)	8.7329 kg
Headroom	1170 mm

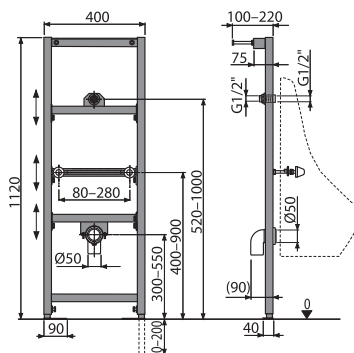


15

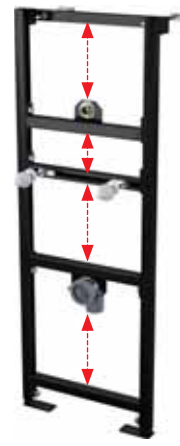
YEAR WARRANTY

**A107/1120**

Mounting frame for urinal



Quantity (packing)	1 pc
Quantity (pallet)	30 pcs
Dimensions (piece)	1195x82x410 mm
Weight (piece)	5.8706 kg
Headroom	1120 mm

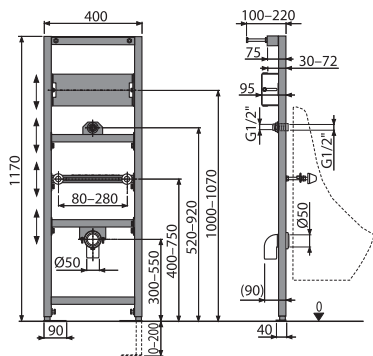


15

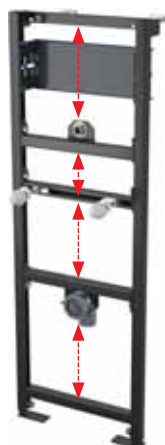
YEAR WARRANTY

**A107S/1200**

Mounting frame for urinal and sensor



Quantity (packing)	1 pc
Quantity (pallet)	30 pcs
Dimensions (piece)	1195x410x82 mm
Weight (piece)	9.9233 kg
Headroom	1170 mm

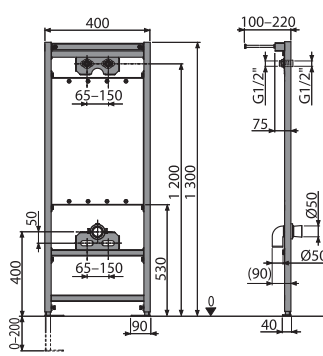


15

YEAR WARRANTY

**A108/1300**

Mounting frame for waste sink and faucet



Quantity (packing)	1 pc
Quantity (pallet)	30 pcs
Dimensions (piece)	1195x510x82 mm
Weight (piece)	12.8705 kg
Headroom	1300 mm

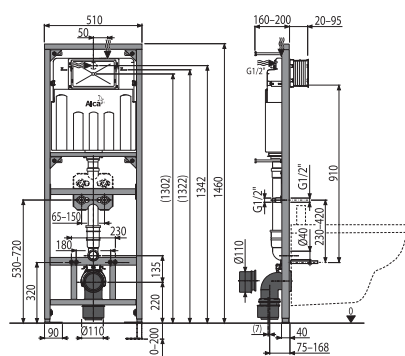


15

YEAR WARRANTY

**A108F/1500**

Mounting frame with cistern for a waste sink with waste connection DN90/110 and faucet



Quantity (packing)	1 pc
Quantity (pallet)	10 pcs
Dimensions (piece)	1460x155x530 mm
Weight (piece)	17.3481 kg
Headroom	1460 mm

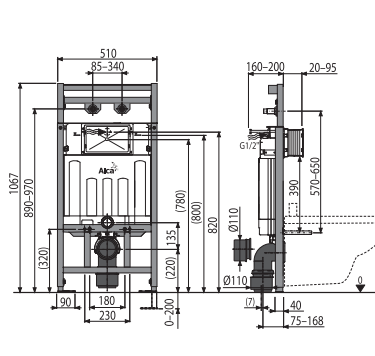


15

YEAR WARRANTY

**A108F/1100**

Mounting frame with cistern for a waste sink with waste connection DN90/110 and faucet



Quantity (packing)	1 pc
Quantity (pallet)	15 pcs
Dimensions (piece)	1195x145x530 mm
Weight (piece)	15.8606 kg
Headroom	1067 mm

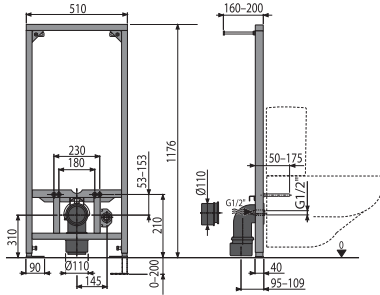


15

YEAR WARRANTY

**A113/1200**

Mounting frame for wall-hung WC combi

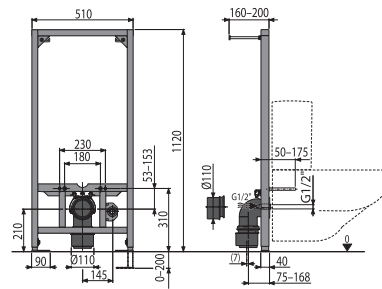


Quantity (packing)	1 pc
Quantity (pallet)	15 pcs
Dimensions (piece)	1195x530x145 mm
Weight (piece)	11.2567 kg
Headroom	1176 mm



**A113/1120**

Mounting frame for wall-hung WC combi

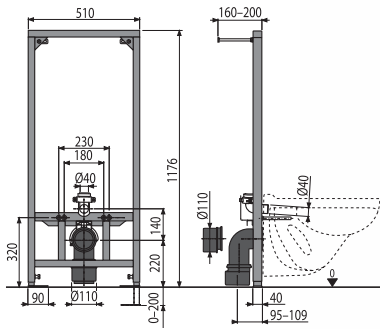


Quantity (packing)	1 pc
Quantity (pallet)	15 pcs
Dimensions (piece)	1195x145x530 mm
Weight (piece)	11.1765 kg
Headroom	1120 mm



**A114/1200**

Mounting frame for wall-hung WC

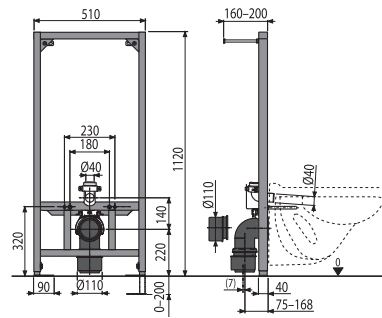


Quantity (packing)	1 pc
Quantity (pallet)	15 pcs
Dimensions (piece)	1195x530x145 mm
Weight (piece)	12.6007 kg
Headroom	1176 mm



**A114/1120**

Mounting frame for wall-hung WC

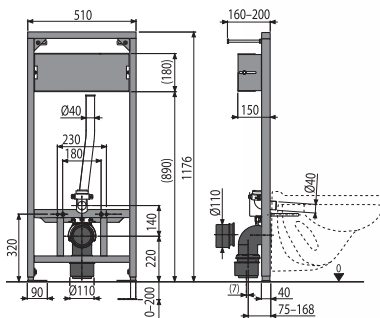


Quantity (packing)	1 pc
Quantity (pallet)	15 pcs
Dimensions (piece)	1195x145x530 mm
Weight (piece)	11.3765 kg
Headroom	1120 mm



**A114S/1200**

Mounting frame for wall-hung WC and sensor

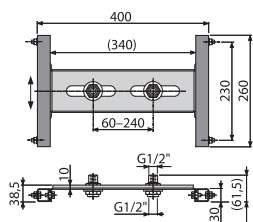


Quantity (packing)	1 pc
Quantity (pallet)	15 pcs
Dimensions (piece)	1195x530x145 mm
Weight (piece)	13.2026 kg
Headroom	1176 mm



### A117B

Mounting frame for faucet in plasterboard structure

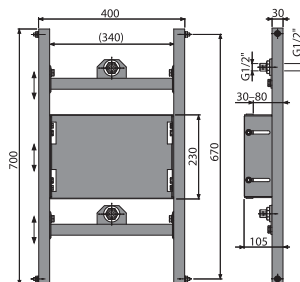


Quantity (packing)	20 pcs
Quantity (pallet)	160 pcs
Dimensions (piece)	370x80x140 mm
Weight (piece)	1.9108 kg
Headroom	- mm

**15**  
YEAR WARRANTY

### A117PB

Mounting frame for built-in mixer in plasterboard structure



Quantity (packing)	1 pc
Quantity (pallet)	40 pcs
Dimensions (piece)	800x133x470 mm
Weight (piece)	6.3274 kg
Headroom	- mm

**15**  
YEAR WARRANTY

PRE-WALL INSTALLATION SYSTEMS

VALVES

WC SEATS

LINEAR DRAINS

INDUSTRIAL STAINLESS STEEL DRAINAGE SYSTEM

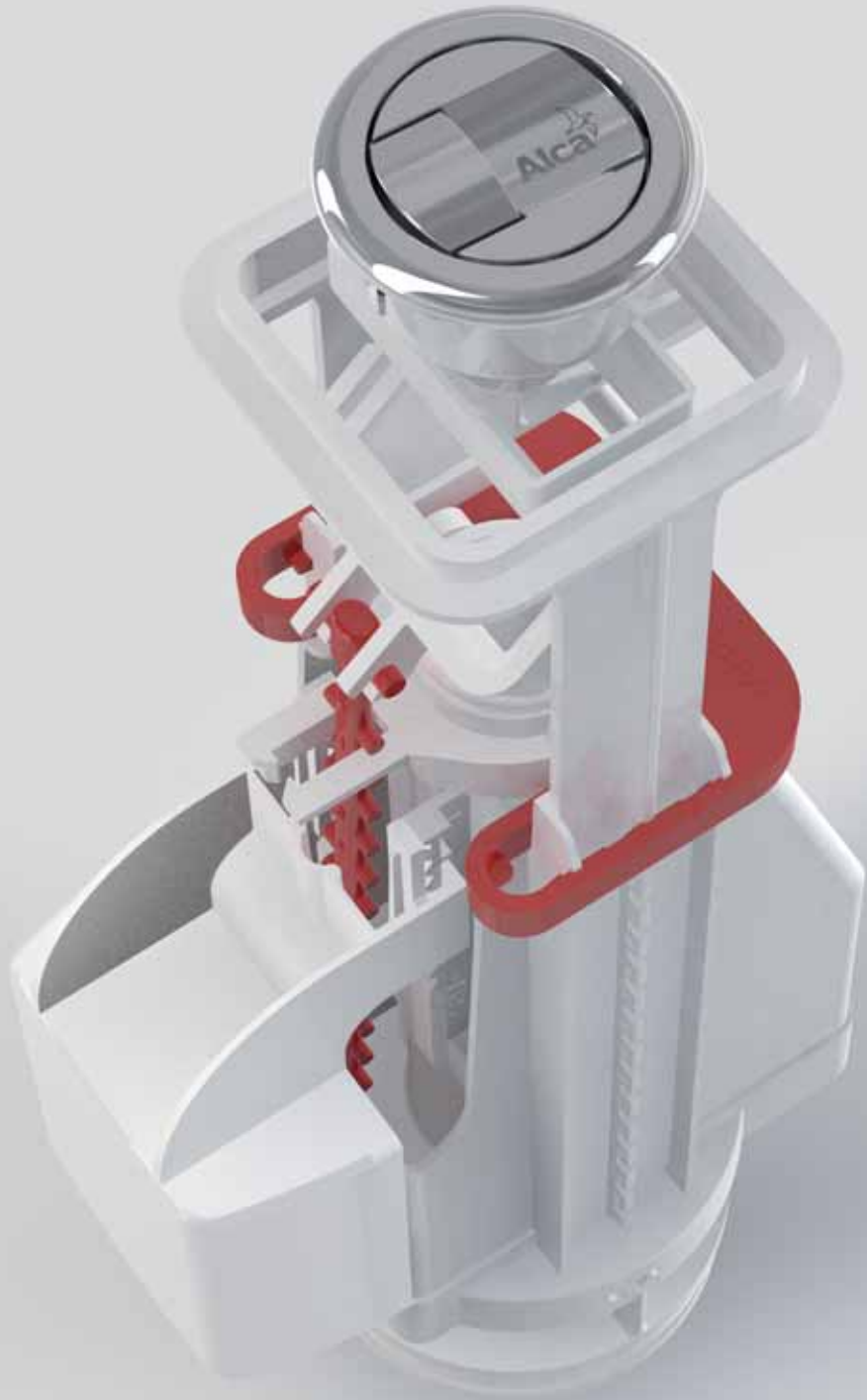
OUTDOOR DRAINAGE SYSTEM

FLOOR DRAINS

WASTES AND TRAPS

FLEXI PIPES

WC ACCESSORIES



# Valves

Fill valves	38
Flush valves	39
Plastic WC cisterns	40
Fill and flush kits	41
Valves – accessories	43

**A15-1/2"**

Side inlet fill valve for ceramic WC cisterns



Quantity (packing)	75 pcs
Quantity (pallet)	1200 pcs
Material	ABS

**A15-3/8"**

Side inlet fill valve for ceramic WC cisterns



Quantity (packing)	75 pcs
Quantity (pallet)	1200 pcs
Material	ABS

**A15P-1/2"**

Side inlet fill valve for plastic WC cisterns



Quantity (packing)	75 pcs
Quantity (pallet)	1200 pcs
Material	ABS

**A15P-3/8"**

Side inlet fill valve for plastic WC cisterns



Quantity (packing)	75 pcs
Quantity (pallet)	1200 pcs
Material	ABS

**A16-1/2"**

Side inlet fill valve metal thread for ceramic WC cisterns



Quantity (packing)	75 pcs
Quantity (pallet)	1200 pcs
Material	ABS

**A16-3/8"**

Side inlet fill valve metal thread for ceramic WC cisterns



Quantity (packing)	75 pcs
Quantity (pallet)	1200 pcs
Material	ABS

**A16M-3/8"**

Side inlet fill valve metal thread for plastic WC cisterns and pre-wall installation systems



Quantity (packing)	75 pcs
Quantity (pallet)	1200 pcs
Material	ABS

**A16P-3/8"**

Side inlet fill valve metal thread for plastic WC cisterns



Quantity (packing)	75 pcs
Quantity (pallet)	1200 pcs
Material	ABS

**A17-1/2"**

Bottom inlet fill valve



Quantity (packing)	50 pcs
Quantity (pallet)	800 pcs
Material	ABS

**A17-3/8"**

Bottom inlet fill valve



Quantity (packing)	50 pcs
Quantity (pallet)	800 pcs
Material	ABS

**A18-1/2"**

Bottom inlet fill valve metal thread



Quantity (packing)	50 pcs
Quantity (pallet)	800 pcs
Material	ABS

**A18-3/8"**

Bottom inlet fill valve metal thread



Quantity (packing)	50 pcs
Quantity (pallet)	800 pcs
Material	ABS

**A2000**

Flush valve with STOP button



Quantity (packing)	25 pcs
Quantity (pallet)	400 pcs
Material	ABS

**A05**

Flush valve with raised STOP button



Quantity (packing)	25 pcs
Quantity (pallet)	400 pcs
Material	ABS

**A08A**

Flush valve with DUAL control button



Quantity (packing)	16 pcs
Quantity (pallet)	256 pcs
Material	ABS

**A02**

Flush valve for low level cistern



Quantity (packing)	25 pcs
Quantity (pallet)	400 pcs
Material	ABS

**A03**

Flush valve for high level cistern



Quantity (packing)	25 pcs
Quantity (pallet)	400 pcs
Material	ABS

**A03A**

Flush valve for high level cistern



Quantity (packing)	35 pcs
Quantity (pallet)	560 pcs
Material	ABS

PRE-WALL INSTALLATION SYSTEMS

VALVES

WC SEATS

LINEAR DRAINS

INDUSTRIAL STAINLESS STEEL DRAINAGE SYSTEM

OUTDOOR DRAINAGE SYSTEM

FLOOR DRAINS

WASTES AND TRAPS

FLEXI PIPES

WC ACCESSORIES

**A06**

Flush valve for pre-wall installation systems



Quantity (packing)	25 pcs
Quantity (pallet)	400 pcs
Material	ABS

**A06E**

Flush valve ECOLOGY for pre-wall installation systems



Quantity (packing)	25 pcs
Quantity (pallet)	400 pcs
Material	ABS

**A06/850**

Flush valve for reduced pre-wall installation systems with 850 mm height



Quantity (packing)	25 pcs
Quantity (pallet)	400 pcs
Material	ABS

**A07**

Flush valve for low level cistern A93



Quantity (packing)	25 pcs
Quantity (pallet)	400 pcs
Material	ABS

**A09A**

Flush valve for Slimmodul



Quantity (packing)	20 pcs
Quantity (pallet)	256 pcs
Material	ABS

**A09B**

Flush valve for Slimmodul



Quantity (packing)	50 pcs
Quantity (pallet)	800 pcs
Material	ABS

**A93-1/2"**

Universal WC cistern ALCA UNI DUAL

**A93-3/8"**

Universal WC cistern ALCA UNI DUAL



**DUAL**  
3 l/6 l

Quantity (packing)	1 pc
Quantity (pallet)	58 pcs

**A94-1/2"**

Universal WC cistern ALCA UNI START/STOP

**A94-3/8"**

Universal WC cistern ALCA UNI START/STOP



**START**  
**STOP**

Quantity (packing)	1 pc
Quantity (pallet)	58 pcs



**A95**

Flush pipe DN32 in two parts + wrapping seal



Quantity (packing)	1 pc
Quantity (pallet)	- pcs

**A950**

Flush pipe set DN35



Quantity (packing)	1 pc
Quantity (pallet)	- pcs

**SA2000-1/2"**

 Fill and flush kit with STOP button  
 Package content: A15-1/2", A2000, blind plug, screws, gaskets


Quantity (packing)	20 pcs
Quantity (pallet)	320 pcs

**SA2000-3/8"**

 Fill and flush kit with STOP button  
 Package content: A15-3/8", A2000, blind plug, screws, gaskets


Quantity (packing)	20 pcs
Quantity (pallet)	320 pcs

**SA2000K-1/2"**

 Fill and flush kit with STOP button  
 Package content: A16-1/2", A2000, blind plug, screws, gaskets


Quantity (packing)	20 pcs
Quantity (pallet)	320 pcs

**SA2000K-3/8"**

 Fill and flush kit with STOP button  
 Package content: A16-3/8", A2000, blind plug, screws, gaskets


Quantity (packing)	20 pcs
Quantity (pallet)	320 pcs

**SA2000S-1/2"**

 Fill and flush kit with STOP button  
 Package content: A17-1/2", A2000, screws, gaskets


Quantity (packing)	20 pcs
Quantity (pallet)	320 pcs

**SA2000S-3/8"**

 Fill and flush kit with STOP button  
 Package content: A17-3/8", A2000, screws, gaskets


Quantity (packing)	20 pcs
Quantity (pallet)	320 pcs

**SA2000SK-1/2"**

Fill and flush kit with STOP button  
 Package content: A18-1/2", A2000, screws, gaskets



Quantity (packing)	20 pcs
Quantity (pallet)	320 pcs

**SA2000SK-3/8"**

Fill and flush kit with STOP button  
 Package content: A18-3/8", A2000, screws, gaskets



Quantity (packing)	20 pcs
Quantity (pallet)	320 pcs

**SA08A-1/2"**

Fill and flush kit with DUAL control button  
 Package content: A15-1/2", A08A, blind plug, screws, gaskets



Quantity (packing)	16 pcs
Quantity (pallet)	256 pcs

**SA08A-3/8"**

Fill and flush kit with DUAL control button  
 Package content: A15-3/8", A08A, blind plug, screws, gaskets



Quantity (packing)	16 pcs
Quantity (pallet)	256 pcs

**SA08AK-1/2"**

Fill and flush kit with DUAL control button  
 Package content: A16-1/2", A08A, blind plug, screws, gaskets



Quantity (packing)	16 pcs
Quantity (pallet)	256 pcs

**SA08AK-3/8"**

Fill and flush kit with DUAL control button  
 Package content: A16-3/8", A08A, blind plug, screws, gaskets



Quantity (packing)	16 pcs
Quantity (pallet)	256 pcs

**SA08AS-1/2"**

Fill and flush kit with DUAL control button  
 Package content: A17-1/2", A08A, screws, gaskets



Quantity (packing)	16 pcs
Quantity (pallet)	256 pcs

**SA08AS-3/8"**

Fill and flush kit with DUAL control button  
 Package content: A17-3/8", A08A, screws, gaskets



Quantity (packing)	16 pcs
Quantity (pallet)	256 pcs

**SA08ASK-1/2"**

Fill and flush kit with DUAL control button  
 Package content: A18-1/2", A08A, screws, gaskets



Quantity (packing)	16 pcs
Quantity (pallet)	256 pcs

### SA08ASK-3/8"

Fill and flush kit with DUAL control button  
 Package content: A18-3/8", A08A, screws, gaskets



**DUAL**  
**3 I/6 I**

Quantity (packing)	16 pcs
Quantity (pallet)	256 pcs

### V0018-ND

Button cover (A2000)



Quantity (packing)	1 pcs
Quantity (pallet)	– pcs

### P0014-ND

Button complete set chrome (A05)



Quantity (packing)	1 pcs
Quantity (pallet)	– pcs

### V0011-ND

Button complete set chrome (A2000)



Quantity (packing)	1 pcs
Quantity (pallet)	– pcs

### V0296-ND

Button complete set chrome (A08A)



Quantity (packing)	1 pcs
Quantity (pallet)	– pcs

### V0015-ND

Seal 64x30x2



Quantity (packing)	1 pcs
Quantity (pallet)	– pcs

### N0020-ND

End cap chrome



Quantity (packing)	1 pcs
Quantity (pallet)	– pcs

PRE-WALL INSTALLATION SYSTEMS

VALVES

WC SEATS

LINEAR DRAINS

INDUSTRIAL STAINLESS STEEL DRAINAGE SYSTEM

OUTDOOR DRAINAGE SYSTEM

FLOOR DRAINS

WASTES AND TRAPS

FLEXI PIPES

WC ACCESSORIES



# WC seats

WC seats Antibacterial	46
WC seats Duroplast	46
WC seats SOFTCLOSE	46
WC seats SLIM	48, 50
WC seats Basic	50
WC seats – hinges	52

**A60**

WC seat Antibacterial



Quantity (packing)	13 pcs
Quantity (pallet)	208 pcs
Hinges	P0009-ND
Material	polypropylene with antibacterial properties

**A601**

WC seat Duroplast



Quantity (packing)	5 pcs
Quantity (pallet)	120 pcs
Hinges	P096
Material	Duroplast with antibacterial properties

**A601 BAHAMA**

WC seat Duroplast



Quantity (packing)	5 pcs
Quantity (pallet)	120 pcs
Hinges	P096
Material	Duroplast with antibacterial properties

**A601 PERGAMON**

WC seat Duroplast



Quantity (packing)	5 pcs
Quantity (pallet)	120 pcs
Hinges	P096
Material	Duroplast with antibacterial properties

**A601 PISTACHIO**

WC seat Duroplast



Quantity (packing)	5 pcs
Quantity (pallet)	120 pcs
Hinges	P096
Material	Duroplast with antibacterial properties

**A602**

WC seat universal, Duroplast



Quantity (packing)	5 pcs
Quantity (pallet)	120 pcs
Hinges	P106B
Material	Duroplast with antibacterial properties

**A603**

WC seat universal with integrated insert, Duroplast



Quantity (packing)	5 pcs
Quantity (pallet)	120 pcs
Hinges	P106B
Material	Duroplast with antibacterial properties
WC seat insert material	polypropylene with antibacterial properties

**P102**

WC seat – integrated insert



Quantity (packing)	20 pcs
Quantity (pallet)	320 pcs
Hinges	-
Material	polypropylene with antibacterial properties

**A604**

WC seat universal SOFTCLOSE, Duroplast



Quantity (packing)	5 pcs
Quantity (pallet)	120 pcs
Hinges	P106B
Material	Duroplast with antibacterial properties

## A60 – COMPATIBILITY CHART

Manufacturer	Type	Type
ALCAPLAST	Alca, Rimflow, Grand (C)	
CERSANIT	President (C), Terra	Solari (C)
IDEAL STANDARD	Eurovit (Ecco) (C), Eurovit (Ecco), Simplicity, Simplicity (C), Vidima SevaMix (C), Ulysse 2 (C)	
JIKA	Mio, Lyra (C), Lyra Plus (C), Dino, Easy / Olymp, Olymp (C), Zeta (C), Zeta Plus (C), Roman (C), Lukas, Norma (C), Euroline (C), Deep New Handicap	
KOLO	Style, Nova top, Napoli (C), Rekord (C), Rekord	Primo, Piano (C)
SANITEC / KERAMAG		Renova Nr. 1
VITRA	Concept 100 (Ptáček), SeaBay (C), Pera	
VILLEROY & BOCH	Omnia, Omnia Pro, Omnia Compact	

## A601 – COMPATIBILITY CHART

Manufacturer	Type	Type
ALCAPLAST	Alca, Rimflow	
CERSANIT	Terra, President (C)	Delfi
FAYANS	Neo	
GUSTAVSBERG	Saval	Nautic
IDEAL STANDARD	Eurovit, Simplicity (C), Simplicity	Eurovit (C), Ulysse 2 (C), Vidima SevaMix
JIKA	Easy / Olymp, Zeta Plus (C), Roman (C)	Tigo, Olymp, Deep New Handicap
KERAMAG		Renova
KERAMIN	Omega (C)	
KOLO	Rekord (C)	Primo, Rekord / Krainer
SANINDUSA	Cetus	

## A602, A603, A604, A606 – COMPATIBILITY CHART

Manufacturer	Type	Type
ALCAPLAST	Alca, Rimflow	
ALFÖLDI	Saval, Bázis, Solinár	
CERSANIT	Terra, Lotos, Classic, Ellada, Eko-2000, Korál, Atlantic, Solari, Family, Meteor, Trento, Relax	Iryda, Olimpia, Prezydent, Roma, Merida, Delfi
DOLOMITE	Garda	
FAYANS	Neo	
GUSTAVSBERG	Saval, Nautic	
IDEAL STANDARD	Eurovit, Simplicity (C), Simplicity, Storm, Seva M, Seva Mega	Eurovit (C), SevaMix
JIKA	Easy / Olymp, Dino, Roma, Lyra, Norma	Easy / Zeta (C), Tigo, Deep New Handicap
KERAMAG		Renova Nr.1
KERAMIN	Omega (C)	
KERASAN	Godia	
KOLO	Rekord, Idol, Impuls, Primo	Nova Top, Rekord / Krainer
MONDIAL	4031	
MULTI	Eur	
ROCA	Zoom	
ROSA	Elegans, Komfort, Evro, Premier, Ressa	
SAMARSKJI STROJFARFOR	Sanata	
SANINDUSA	Cetus	
SANTEK	Boreal, Briz	
SANTERI		Vita, Sonata
VILLEROY BOCH		O.novo
VITRA	Saval	

✓✓ = WC seat fully compatible with toilet bowl

✓ = WC seat compatible with toilet bowl but not perfect fit

(C) = combi WC

### A604 BAHAMA

WC seat universal SOFTCLOSE, Duroplast



Quantity (packing)	5 pcs
Quantity (pallet)	120 pcs
Hinges	P106B
Material	Duroplast with antibacterial properties

### A604 PERGAMON

WC seat universal SOFTCLOSE, Duroplast



Quantity (packing)	5 pcs
Quantity (pallet)	120 pcs
Hinges	P106B
Material	Duroplast with antibacterial properties

### A604 PISTACHIO

WC seat universal SOFTCLOSE, Duroplast



Quantity (packing)	5 pcs
Quantity (pallet)	120 pcs
Hinges	P106B
Material	Duroplast with antibacterial properties

### A604 FLOWER

WC seat universal SOFTCLOSE, Duroplast



Quantity (packing)	5 pcs
Quantity (pallet)	120 pcs
Hinges	P106B
Material	Duroplast with antibacterial properties

### A604 SHELL

WC seat universal SOFTCLOSE, Duroplast



Quantity (packing)	5 pcs
Quantity (pallet)	120 pcs
Hinges	P106B
Material	Duroplast with antibacterial properties

### A604 ZEN

WC seat universal SOFTCLOSE, Duroplast



Quantity (packing)	5 pcs
Quantity (pallet)	120 pcs
Hinges	P106B
Material	Duroplast with antibacterial properties

### A64SLIM

WC seat SLIM SOFTCLOSE, Duroplast



Quantity (packing)	5 pcs
Quantity (pallet)	80 pcs
Hinges	Z0952-ND
Material	Duroplast

### A66

WC seat SOFTCLOSE, Duroplast



Quantity (packing)	5 pcs
Quantity (pallet)	80 pcs
Hinges	Z0137-ND
Material	Duroplast

### A606

WC seat universal SOFTCLOSE with integrated insert, Duroplast



Quantity (packing)	5 pcs
Quantity (pallet)	120 pcs
Hinges	P106B
Material	Duroplast with antibacterial properties



## A604, A606 – COMPATIBILITY CHART

Manufacturer	Type	Type
ALCAPLAST	Alca, Rimflow	
ALFÖLDI	Saval, Bázis, Solinár	
CERSANIT	Terra, Lotos, Classic, Ellada, Eko-2000, Korál, Atlantic, Solari, Family, Meteor, Trento, Relax	Iryda, Olimpia, Prezident, Roma, Merida, Delfi
DOLOMITE	Garda	
FAYANS	Neo	
GUSTAVSBERG	Saval, Nautic	
IDEAL STANDARD	Eurovit, Simplicity (C), Simplicity, Storm, Seva M, Seva Mega	Eurovit (C), SevaMix
JIKA	Easy / Olymp, Dino, Roma, Lyra, Norma	Easy / Zeta (C), Tigo, Deep New Handicap
KERAMAG		Renova Nr.1
KERAMIN	Omega (C)	
KERASAN	Godia	
KOLO	Rekord, Idol, Impuls, Primo	Nova Top, Rekord / Krainer
MONDIAL	4031	
MULTI	Eur	
ROCA	Zoom	
ROSA	Elegans, Komfort, Evro, Premier, Ressa	
SAMARSKJI STROJFARFOR	Sanata	
SANINDUSA	Cetus	
SANTEK	Boreal, Briz	
SANTERI		Vita, Sonata
VILLEROY BOCH		O.novo
VITRA	Saval	

## A64SLIM – COMPATIBILITY CHART

Manufacturer	Type	Type
ALCAPLAST	Alca	Rimflow
ALFÖLDI	Saval	Bázis
CERSANIT	President (C), Terra, Family, Solari, Classic, Iryda (C)	Olympia, Olympia (C), Iryda
DOLOMITE	Garda	
FAYANS	Neo	
GUSTAVSBERG	Saval, Nautic	
IDEAL STANDARD	Eurovit (Ecco)(C), Simplicity (C), Vidima Storm	Vidima SevaMix (C), Ulysse 2 (C), Vidima SevaM (C), Simplicity
JIKA	Lyra, Dino, Easy / Olymp, Zeta, Roman	Norma
KERAMAG		Renova Nr. 1
KERASAN	Godia	
KOLO	Nova Top, Delta, Impuls, Rekord, Idol (C)	Rekord (C), Piano (C), Primo
SANINDUSA	Cetus	
SANTEK	Boreal, Briz	
SANTERI		Vita, Sonata
VILLEROY & BOCH	Omnia, Omnia Pro, Omnia Compact	
VITRA	Pera, SeaBay (C)	

## A66 – COMPATIBILITY CHART

Manufacturer	Type	Type
ALCAPLAST	Rimflow	
CERSANIT	President, Merida, Terra	
DOLOMITE	Clodia	
GLACERA	Montanaro, Base	
HORNBAACH		Dalea, Luna
IDEAL STANDARD	Eurovit (Ecco)	Vidima SevaMix (C)
JIKA	Mio, Dino, Easy / Olymp, Cubito, Zeta, Tigo	Zeta Plus (C), Dino Rimless
KERAMAG		Renova
KERASAN	Flo	
LAUFEN	Pro, Form	
RICHTER + FRENZEL	Optiset Optiline	
VILLEROY & BOCH	Omnia, Omnia Architectura	
VITRA	S50-52 cm	

✓✓ = WC seat fully compatible with toilet bowl

✓ = WC seat compatible with toilet bowl but not perfect fit

(C) = combi WC

**A67**

WC seat SOFTCLOSE, Duroplast



Quantity (packing)	5 pcs
Quantity (pallet)	80 pcs
Hinges	Z137-ND
Material	Duroplast

**A67SLIM**

WC seat SLIM SOFTCLOSE, Duroplast



Quantity (packing)	5 pcs
Quantity (pallet)	80 pcs
Hinges	Z0952-ND
Material	Duroplast

**A674S**

WC seat SOFTCLOSE, Duroplast



Quantity (packing)	5 pcs
Quantity (pallet)	120 pcs
Hinges	P106B
Material	Duroplast

**A68**

Potty training seat



Quantity (packing)	7 pcs
Quantity (pallet)	252 pcs
Hinges	-
Material	polypropylene

**A3550**

WC seat



Quantity (packing)	15 pcs
Quantity (pallet)	300 pcs
Hinges	-
Material	polypropylene

**A3551**

WC seat



Quantity (packing)	15 pcs
Quantity (pallet)	300 pcs
Hinges	-
Material	polypropylene

**A3553**

WC seat



Quantity (packing)	21 pcs
Quantity (pallet)	336 pcs
Hinges	-
Material	polypropylene

## A67 – COMPATIBILITY CHART

Manufacturer	Type	Type
ALCAPLAST		Rimflow
CERSANIT	President, Merida, Terra	
DOLOMITE	Clodia	
GLACERA	Montanaro, Base	
HORNBACK		Dalea, Luna
IDEAL STANDARD	Eurovit (Ecco)	Vidima SevaMix (C)
JIKA	Mio, Dino, Easy / Olymp, Cubito, Zeta, Lyra Plus, Tigo	Zeta Plus (C), Dino Rimless
KERAMAG		Renova
KERASAN	Flo	
LAUFEN	Pro, Form	
RICHTER + FRENZEL	Optiset Optiline	
VILLEROY & BOCH	Omnia, Omnia Architectura	
VITRA	S50-52 cm	

## A67SLIM – COMPATIBILITY CHART

Manufacturer	Type	Type
ALCAPLAST		Rimflow
CERSANIT	President, Merida, Terra, Iryda (C)	Olympia, Olympia (C), Iryda
DOLOMITE	Clodia	
GLACERA	Montanaro, Base	
HORNBACK		Dalea, Luna
IDEAL STANDARD		Vidima SevaMix (C)
JIKA	Mio, Dino, Easy / Olymp, Cubito, Zeta, Dino Rimless, Lyra Plus, Tigo, Deep New Handicap	
JUNGBORN	Elena (C), Dalea, Melissa	
KERAMAG	Renova Nr. 1, Renova	
KERASAN	Flo	
KOLO	Style, Impuls	Quatro
VILLEROY & BOCH	Subway, Omnia Architectura	
VITRA	S50-52 cm	

## A674S – COMPATIBILITY CHART

Manufacturer	Type	Type
ALCAPLAST		Rimflow
CERSANIT	Iryda, Iryda (C)	Delfi, Olimpia, Olimpia (C), Parva, Parva (C)
FORM	Novalis	Corto
GUSTAVSBERG		Nautic
HORNBACK		Melissa, Luna
IDEAL STANDARD		Simplicity
JIKA	Dino Rimless, Easy, Lyra Plus, Mio, Mio (C), Tigo, Tigo (C)	
LAUFEN	Laufen Pro	
PTÁČEK		Concept 100
RICHTER + FRENZEL		Optiline Europa
SANITEC - KERAMAG - KOLO	Icon, Primo	Renova Nr. 1
VILLEROY & BOCH	Verity, Subway 2.0 (compact), O.novo	
VITRA	Concept 500	

## A3550, A3553 – COMPATIBILITY CHART

Manufacturer	Type	Type
ALCAPLAST		Alca
CERSANIT		Delfi
IDEAL STANDARD	Vidima SevaMix (C), Ulysse 2 (C)	Simplicity, Simplicity (C), Eurovit (C), Eurovit
JIKA	Dino Rimless	Lyra Plus, Tigo, Tigo (C), Zeta
PTÁČEK		Easy, Concept
RICHTER + FRENZEL	Optiline Europa	
WINKIEL		Lecico (C)

## A3551 – COMPATIBILITY CHART

Manufacturer	Type	Type
ALCAPLAST	Grand (C)	
JIKA	Lyra Plus (C), Lyra (C)	
PTÁČEK	Easy (C), Concept (C)	

✓✓ = WC seat fully compatible with toilet bowl

✓ = WC seat compatible with toilet bowl but not perfect fit

(C) = combi WC

**P0009B-ND**

Hinges for A60



Quantity (packing) -  
Quantity (pallet) -

**P096**

Hinges for A601



Quantity (packing) -  
Quantity (pallet) -

**P106**

Hinges for bottom installation, stainless steel cover



Quantity (packing) -  
Quantity (pallet) -

**P106B**

Hinges for bottom installation, white cover



Quantity (packing) -  
Quantity (pallet) -

**P105**

Hinges with top installation, stainless steel cover



Quantity (packing) -  
Quantity (pallet) -

**P105B**

Hinges for top installation, white cover



Quantity (packing) -  
Quantity (pallet) -

**Z0137-ND**

Hinges for A64, A65, A66, A67



Quantity (packing) -  
Quantity (pallet) -

**Z0952-ND**

Hinges for A64SLIM, A67SLIM



Quantity (packing) -  
Quantity (pallet) -

**P113**

Dowel for top installation of WC seats



Quantity (packing) -  
Quantity (pallet) -

## HINGES – COMPATIBILITY CHART

Hinges	Type
P0009B-ND	A60
P096	A601, A601 BAHAMA, A601 PERGAMON, A601 PISTACHIO
P105	A602, A603, A604, A604 FLOWER, A604 SHELL, A604 ZEN, A604 BAHAMA, A604 PERGAMON, A604 PISTACHIO, A606, A674S
P105B	A602, A603, A604, A604 FLOWER, A604 SHELL, A604 ZEN, A604 BAHAMA, A604 PERGAMON, A604 PISTACHIO, A606, A674S
P106	A602, A603, A604, A604 FLOWER, A604 SHELL, A604 ZEN, A604 BAHAMA, A604 PERGAMON, A604 PISTACHIO, A606, A674S
P106B	A602, A603, A604, A604 FLOWER, A604 SHELL, A604 ZEN, A604 BAHAMA, A604 PERGAMON, A604 PISTACHIO, A606, A674S
P113	A602, A603, A604, A604 FLOWER, A604 SHELL, A604 ZEN, A604 BAHAMA, A604 PERGAMON, A604 PISTACHIO, A606, A674S
Z0137-ND	A66, A67
Z0952-ND	A64SLIM, A67SLIM

PRE-WALL INSTALLATION SYSTEMS

VALVES

WC SEATS

LINEAR DRAINS

INDUSTRIAL STAINLESS STEEL DRAINAGE SYSTEM

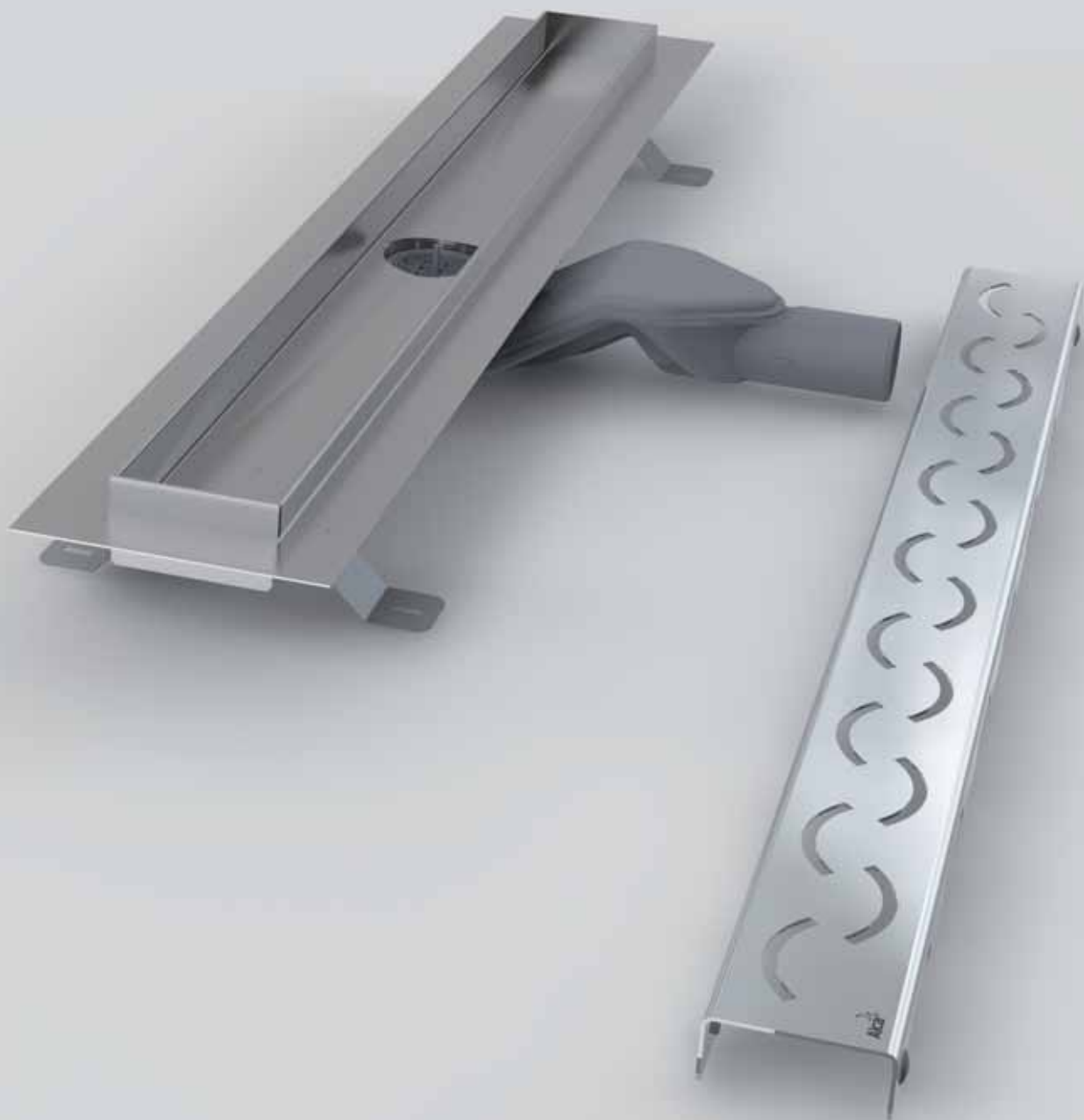
OUTDOOR DRAINAGE SYSTEM

FLOOR DRAINS

WASTES AND TRAPS

FLEXI PIPES

WC ACCESSORIES

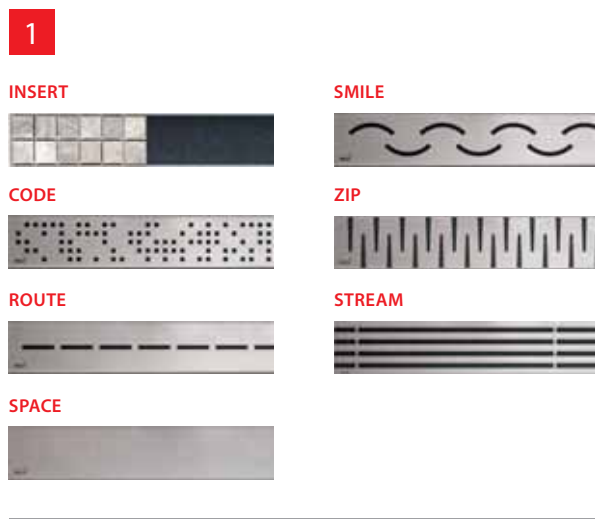


# Linear drains

Linear shower drains	56
Linear shower drains Antivandal	67
Waste systems	68
Corner shower drain	69
Plastic linear shower drains	70
Linear shower drains – accessories	73
Swimming pool grates	75

# Stainless steel linear shower drain APZ13 Modular

The stainless steel linear shower drain APZ13 was designed as a modular product according to the highest standards of the Western European markets. We offer 3 length variants with 3 optional traps and 7 grids. The grids range includes perforated and full grids, grids for embedding tiles and prismatic grid (parallel bars).



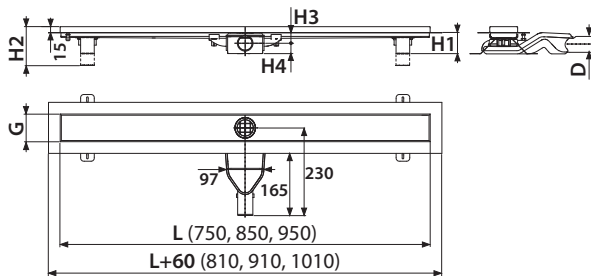


## APZ13 Modular

Shower drain  
(750, 850, 950 mm)

## APZ-S6

Extra-low trap DN40 and set of adjustable legs



### APZ13 + APZ-S6

Minimum floor thickness (H1)	54 mm
Total installation height (H2)	69–86 mm
Height from the axis of the waste to the collar (H3)	24 mm
Height from the axis of the waste to the bottom of the trap (H4)	30 mm
Drain channel width (G)	71 mm
Flow rate (ČSN EN 1253)	40 l/min
Outlet pipe diameter (D)	Ø40
Load class (ČSN EN 1253)	K3 = max. 300 kg
Material – drain body (ČSN 17240)	stainless steel DIN 1.4301
Material – odour trap	polypropylene
Drain channel length (L)	750, 850, 950 mm

Quantity (packing) APZ13-850	20 pcs
Dimensions (piece) APZ13-850	940×156×84 mm
Weight (piece) APZ13-850	2.0398 kg

Quantity (packing) APZ-S6	36 pc
Dimensions (piece) APZ-S6	292×124×71 mm
Weight (piece) APZ-S6	0.4983 kg

## CODE

Stainless steel-polished / Stainless steel-matt



## ROUTE

Stainless steel-polished / Stainless steel-matt



## SMILE

Stainless steel-polished / Stainless steel-matt



## ZIP

Stainless steel-polished / Stainless steel-matt



Quantity (packing) CODE-850	1 pc
Dimensions (piece) CODE-850	855×76×40 mm
Weight (piece) CODE-850	1.2047 kg

## INSERT

Grid for embedding tiles



Quantity (packing) INSERT-850	1 pc
Dimensions (piece) INSERT-850	855×76×40 mm
Weight (piece) INSERT-850	1.4376 kg

## SPACE

Stainless steel-matt



Quantity (packing) SPACE-850	1 pc
Dimensions (piece) SPACE-850	855×76×40 mm
Weight (piece) SPACE-850	0.9273 kg

## STREAM

Stainless steel-matt



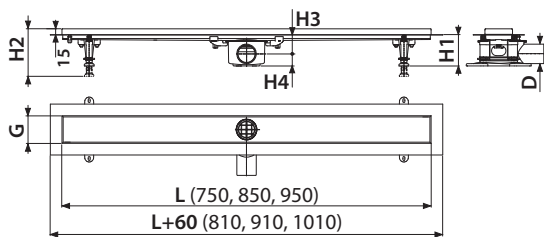
Quantity (packing) STREAM-850	1 pc
Dimensions (piece) STREAM-850	855×76×40 mm
Weight (piece) STREAM-850	1.9604 kg

### APZ13 Modular

Shower drain  
(750, 850, 950 mm)

### APZ-S9

Low trap DN50 and set of adjustable legs



#### APZ13 + APZ-S9

Minimum floor thickness (H1)	81 mm
Total installation height (H2)	96–170 mm
Height from the axis of the waste to the collar (H3)	50 mm
Height from the axis of the waste to the bottom of the trap (H4)	31 mm
Drain channel width (G)	71 mm
Flow rate (ČSN EN 1253)	50 l/min
Outlet pipe diameter (D)	Ø50
Load class (ČSN EN 1253)	K3 = max. 300 kg
Material – drain body (ČSN 17240)	stainless steel DIN 1.4301
Material – odour trap	polypropylene
Drain channel length (L)	750, 850, 950 mm

Quantity (packing) APZ13-850	20 pcs
Dimensions (piece) APZ13-850	940x156x84 mm
Weight (piece) APZ13-850	2.0398 kg
Quantity (packing) APZ-S9	28 pc
Dimensions (piece) APZ-S9	253x118x100 mm
Weight (piece) APZ-S9	0.4842 kg

### CODE

Stainless steel-polished / Stainless steel-matt



### ROUTE

Stainless steel-polished / Stainless steel-matt



### SMILE

Stainless steel-polished / Stainless steel-matt



### ZIP

Stainless steel-polished / Stainless steel-matt



Quantity (packing) CODE-850	1 pc
Dimensions (piece) CODE-850	855x76x40 mm
Weight (piece) CODE-850	1.2047 kg

### INSERT

Grid for embedding tiles



Quantity (packing) INSERT-850	1 pc
Dimensions (piece) INSERT-850	855x76x40 mm
Weight (piece) INSERT-850	1.4376 kg

### SPACE

Stainless steel-matt



Quantity (packing) SPACE-850	1 pc
Dimensions (piece) SPACE-850	855x76x40 mm
Weight (piece) SPACE-850	0.9273 kg

### STREAM

Stainless steel-matt



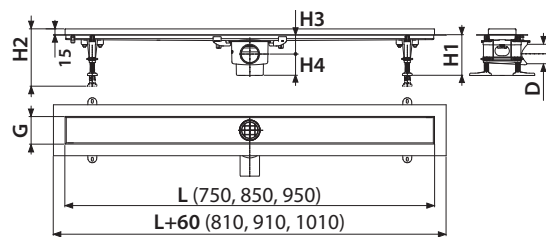
Quantity (packing) STREAM-850	1 pc
Dimensions (piece) STREAM-850	855x76x40 mm
Weight (piece) STREAM-850	1.9604 kg

## APZ13 Modular

Shower drain  
(750, 850, 950 mm)

## APZ-S12

Trap DN50 and set of adjustable legs



### APZ13 + APZ-S12

Minimum floor thickness (H1)	105 mm
Total installation height (H2)	120–170 mm
Height from the axis of the waste to the collar (H3)	50 mm
Height from the axis of the waste to the bottom of the trap (H4)	55 mm
Drain channel width (G)	71 mm
Flow rate (ČSN EN 1253)	58 l/min
Outlet pipe diameter (D)	Ø50
Load class (ČSN EN 1253)	K3 = max. 300 kg
Material – drain body (ČSN 17240)	stainless steel DIN 1.4301
Material – odour trap	polypropylene
Drain channel length (L)	750, 850, 950 mm

Quantity (packing) APZ13-850	20 pcs
Dimensions (piece) APZ13-850	940×156×84 mm
Weight (piece) APZ13-850	2.0398 kg

Quantity (packing) APZ-S12	28 pc
Dimensions (piece) APZ-S12	253×118×100 mm
Weight (piece) APZ-S12	0.5192 kg

## CODE

Stainless steel-polished / Stainless steel-matt



## ROUTE

Stainless steel-polished / Stainless steel-matt



## SMILE

Stainless steel-polished / Stainless steel-matt



Quantity (packing) CODE-850	1 pc
Dimensions (piece) CODE-850	855×76×40 mm
Weight (piece) CODE-850	1.2047 kg

## INSERT

Grid for embedding tiles



Quantity (packing) INSERT-850	1 pc
Dimensions (piece) INSERT-850	855×76×40 mm
Weight (piece) INSERT-850	1.4376 kg

## SPACE

Stainless steel-matt



Quantity (packing) SPACE-850	1 pc
Dimensions (piece) SPACE-850	855×76×40 mm
Weight (piece) SPACE-850	0.9273 kg

## STREAM

Stainless steel-matt



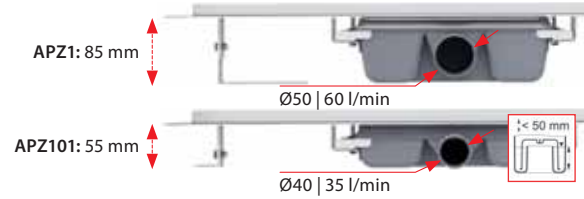
Quantity (packing) STREAM-850	1 pc
Dimensions (piece) STREAM-850	855×76×40 mm
Weight (piece) STREAM-850	1.9604 kg

### APZ1, APZ101 Low

Shower drain with an edge for perforated grids  
(300, 550, 650, 750, 850, 950, 1050, 1150, 1450 mm)



**25**  
YEAR WARRANTY

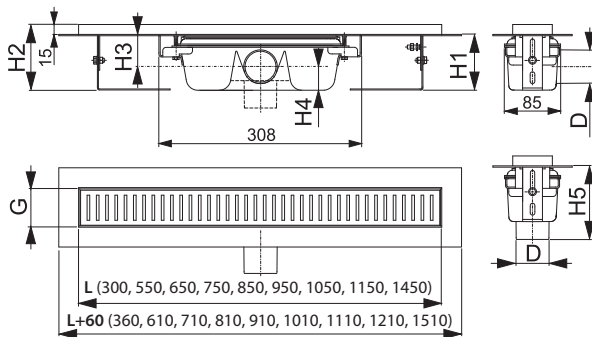
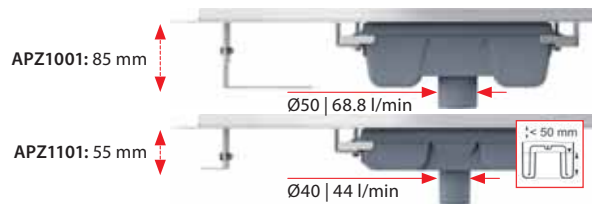


### APZ1001, APZ1101 Low

Shower drain with an edge for perforated grids, straight outlet  
(300, 550, 650, 750, 850, 950, 1050, 1150, 1450 mm)



**25**  
YEAR WARRANTY



	APZ1/1001	APZ101/1101
Minimum floor thickness (H1)	85 mm	55 mm
Total installation height (H2)	100–158 mm	70–96 mm
Height from the axis of the waste to the collar (H3)	48/- mm	33.5/- mm
Height from the axis of the waste to the bottom of the trap (H4)	36/- mm	21.5/- mm
Building height to the waste (H5)	-/111 mm	-/100 mm
Drain channel width (G)	60 mm	60 mm
Flow rate (ČSN EN 1253)	60/68.8 l/min	35/44 l/min
Outlet pipe diameter (D)	Ø50	Ø40
Load class (ČSN EN 1253)		K3 = max. 300 kg
Material – drain body (ČSN 17240)	stainless steel DIN 1.4301	
Material – odour trap	polypropylene	
Drain channel length (L)	300, 550, 650, 750, 850, 950, 1050, 1150, 1450 mm	

Quantity (packing) APZ1-850	12 pcs
Dimensions (piece) APZ1-850	920x135x170 mm
Weight (piece) APZ1-850	3.3674 kg

### LINE

Stainless steel-polished / Stainless steel-matt



### PURE

Stainless steel-polished / Stainless steel-matt



### CUBE

Stainless steel-polished / Stainless steel-matt



### HOPE

Stainless steel-polished / Stainless steel-matt



### BUBLE

Stainless steel-polished / Stainless steel-matt



### DREAM

Stainless steel-polished / Stainless steel-matt



Quantity (packing) LINE-850	1 pc
Dimensions (piece) LINE-850	890x20x55 mm
Weight (piece) LINE-850	0.6485 kg

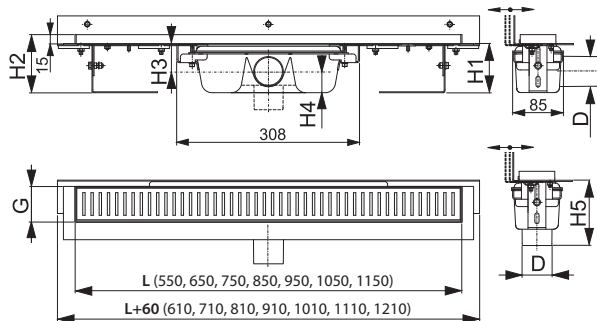
### APZ4 Flexible, APZ104 Flexible Low

Shower drain with an edge for perforated grids and adjustable vertical flange to the wall (550, 650, 750, 850, 950, 1050, 1150 mm)



### APZ1004 Flexible, APZ1104 Flexible Low

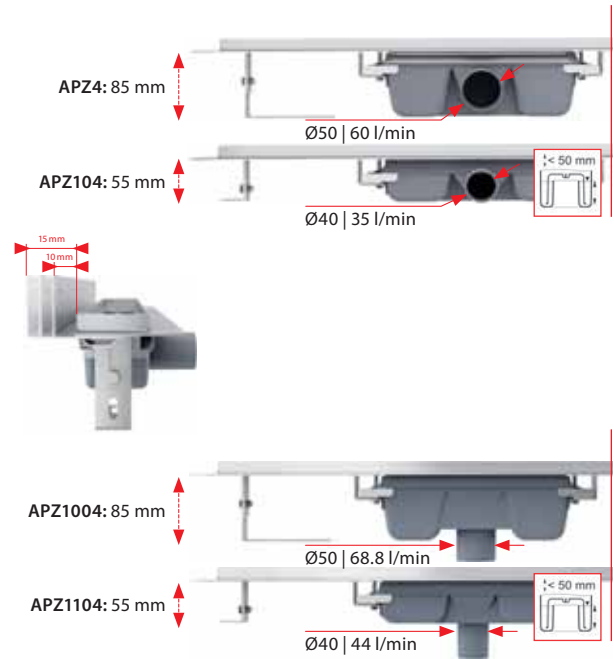
Shower drain with an edge for perforated grids and adjustable vertical flange to the wall, straight outlet (550, 650, 750, 850, 950, 1050, 1150 mm)



	APZ4/1004	APZ104/1104
Minimum floor thickness (H1)	85 mm	55 mm
Total installation height (H2)	100–158 mm	70–96 mm
Height from the axis of the waste to the collar (H3)	48/- mm	33.5/- mm
Height from the axis of the waste to the bottom of the trap (H4)	36/- mm	21.5/- mm
Building height to the waste (H5)	-/111 mm	-/100 mm
Drain channel width (G)	60 mm	60 mm
Flow rate (ČSN EN 1253)	60/68.8 l/min	35/44 l/min
Outlet pipe diameter (D)	Ø50	Ø40
Load class (ČSN EN 1253)		K3 = max. 300 kg
Movable flange range	10–15 mm	10–15 mm
Material – drain body (ČSN EN 12740)	stainless steel DIN 1.4301	
Material – odour trap	polypropylene	
Drain channel length (L)	550, 650, 750, 850, 950, 1050, 1150 mm	

Quantity (packing) APZ4-850	8 pcs
Dimensions (piece) APZ4-850	920x160x205 mm
Weight (piece) APZ4-850	4.4789 kg

Table of size variants for linear shower drains and grids – page 148



### LINE

Stainless steel-polished / Stainless steel-matt



### PURE

Stainless steel-polished / Stainless steel-matt



### CUBE

Stainless steel-polished / Stainless steel-matt



### HOPE

Stainless steel-polished / Stainless steel-matt



### BUBLE

Stainless steel-polished / Stainless steel-matt



### DREAM

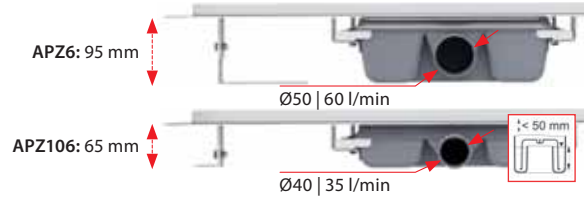
Stainless steel-polished / Stainless steel-matt



Quantity (packing) LINE-850	1 pc
Dimensions (piece) LINE-850	890x20x55 mm
Weight (piece) LINE-850	0.6485 kg

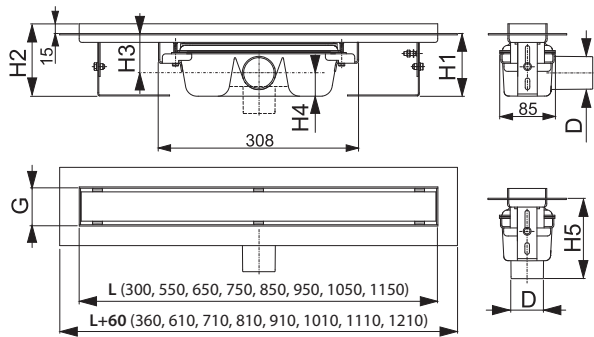
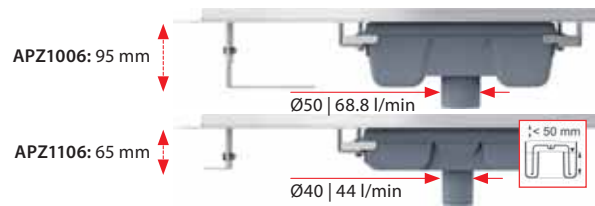
### APZ6 Professional, APZ106 Professional Low

Shower drain with an edge for full grids  
(300, 550, 650, 750, 850, 950, 1050, 1150 mm)



### APZ1006 Professional, APZ1106 Professional Low

Shower drain with an edge for full grids, straight outlet  
(300, 550, 650, 750, 850, 950, 1050, 1150 mm)



	APZ6/1006	APZ106/1106
Minimum floor thickness (H1)	95 mm	65 mm
Total installation height (H2)	110–168 mm	80–106 mm
Height from the axis of the waste to the collar (H3)	59/- mm	44.5/- mm
Height from the axis of the waste to the bottom of the trap (H4)	36/- mm	21.5/- mm
Building height to the waste (H5)	-/122 mm	-/110 mm
Drain channel width (G)	60 mm	60 mm
Flow rate (ČSN EN 1253)	60/68.8 l/min	35/44 l/min
Outlet pipe diameter (D)	Ø50	Ø40
Material – drain body (ČSN 17240)	stainless steel DIN 1.4301	
Material – odour trap	polypropylene	
Drain channel length (L)	300, 550, 650, 750, 850, 950, 1050, 1150 mm	

Quantity (packing) APZ6-850	12 pcs
Dimensions (piece) APZ6-850	920x135x170 mm
Weight (piece) APZ6-850	3.9031 kg

### POSH

Stainless steel-matt

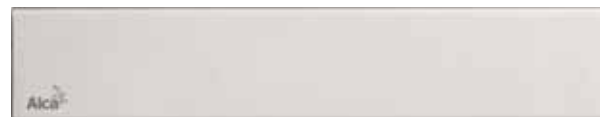


Quantity (packing) POSH-850	1 pc
Dimensions (piece) POSH-850	860x35x65 mm
Weight (piece) POSH-850	1.9787 kg



### DESIGN

Stainless steel-polished / Stainless steel-matt



### DESIGN-ANTIC

Bronze-antic



Quantity (packing) DESIGN-850	1 pc
Dimensions (piece) DESIGN-850	860x35x65 mm
Weight (piece) DESIGN-850	0.8614 kg

### GAP

Stainless steel-matt



Quantity (packing) GAP-850	1 pc
Dimensions (piece) GAP-850	860x65x35 mm
Weight (piece) GAP-850	1.619 kg

## FLOOR

Grid for embedding tiles



Quantity (packing) FLOOR-850	1 pc
Dimensions (piece) FLOOR-850	860x35x65 mm
Hmotnost (kus) FLOOR-850	1.3743 kg

## GL1200

Glass-white



## GL1202

Glass-green



## GL1204

Glass-black



Quantity (packing) GL1200-850	1 pc
Dimensions (piece) GL1200-850	1200x0xØ60 mm
Weight (piece) GL1200-850	1.6431 kg

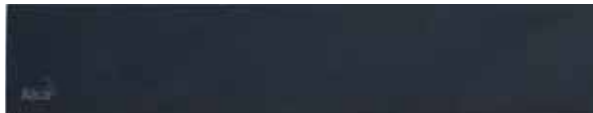
## MI1200

Artificial stone-white



## MI1205

Artificial stone-black



## MI1206

Artificial stone-sand



## MI1207

Artificial stone-granite



Quantity (packing) MI1200-850	1 pc
Dimensions (piece) MI1200-850	1200x0xØ60 mm
Weight (piece) MI1200-850	1.4891 kg

### STAINLESS STEEL

These grids have the following codes:

DESIGN – the basis is a stainless steel U-profile, with rounded edges. Two different finishes are available: polished and brushed matt.

POSH – a solid stainless steel plate is attached to the standard U-profile, with clean lines and well-defined edges. Surface finish is brushed matt.

Load class – K3.

### GLASS

These grids have the following codes:

GL line – tempered glass

The grids are based on stainless steel U-profiles to which a solid piece of tempered glass is attached, available in a range of colours and with a high gloss finish. The special, toughened glass conforms to the relevant safety regulations ČSN EN 12150-2.

Load class – H1.5.

### MINERAL

These grids have the following codes:

MI line – artificial stone

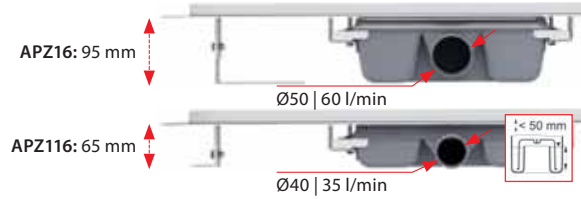
The grids are based on stainless steel U-profiles to which a solid, polished block of artificial stone is attached, available in a range of colours and with a matt finish.

Grids are resistant to breaking, cleaning agents and other chemicals. Thanks to their low thermal conductivity, they are not cold when touched. Unsightly stains from drops of water that have dried on its surface are relatively inconspicuous.

Load class – H1.5.

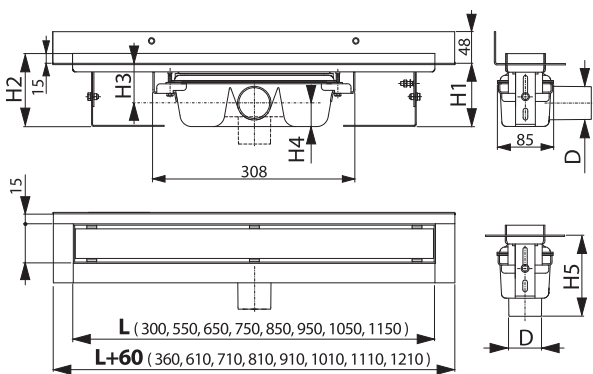
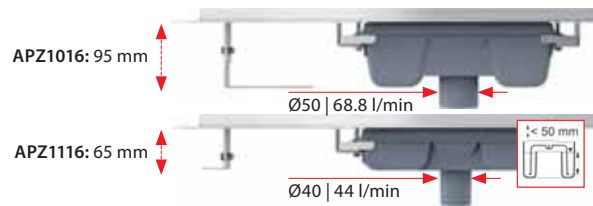
### APZ16 Wall, APZ116 Wall Low

Shower drain with an edge for full grids and fixed vertical flange to the wall (300, 550, 650, 750, 850, 950, 1050, 1150 mm)



### APZ1016 Wall, APZ1116 Wall Low

Shower drain with an edge for full grids and fixed vertical flange to the wall, straight outlet (300, 550, 650, 750, 850, 950, 1050, 1150 mm)



	APZ16/1016	APZ116/1116
Minimum floor thickness (H1)	95 mm	65 mm
Total installation height (H2)	110–168 mm	80–106 mm
Height from the axis of the waste to the collar (H3)	59/- mm	44.5/- mm
Height from the axis of the waste to the bottom of the trap (H4)	36/- mm	21.5/- mm
Building height to the waste (H5)	-/122 mm	-/110 mm
Drain channel width (G)	60 mm	60 mm
Flow rate (ČSN EN 1253)	60/68.8 l/min	35/44 l/min
Outlet pipe diameter (D)	Ø50	Ø40
Material – drain body (ČSN 17240)	stainless steel DIN 1.4301	
Material – odour trap	polypropylene	
Drain channel length (L)	300, 550, 650, 750, 850, 950, 1050, 1150 mm	

Quantity (packing) APZ16-850	8 pcs
Dimensions (piece) APZ16-850	920x205x106 mm
Weight (piece) APZ16-850	4.4987 kg

### POSH

Stainless steel-matt

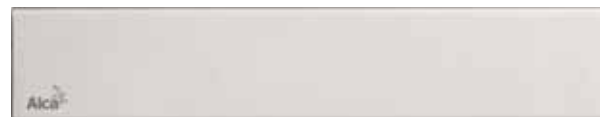


Quantity (packing) POSH-850	1 pc
Dimensions (piece) POSH-850	860x35x65 mm
Weight (piece) POSH-850	1.9787 kg



### DESIGN

Stainless steel-polished / Stainless steel-matt



### DESIGN-ANTIC

Bronze-antic



Quantity (packing) DESIGN-850	1 pc
Dimensions (piece) DESIGN-850	860x35x65 mm
Weight (piece) DESIGN-850	0.8614 kg

### GAP

Stainless steel-matt



Quantity (packing) GAP-850	1 pc
Dimensions (piece) GAP-850	860x65x35 mm
Weight (piece) GAP-850	1.619 kg



## FLOOR

Grid for embedding tiles



Quantity (packing) FLOOR-850	1 pc
Dimensions (piece) FLOOR-850	860x35x65 mm
Hmotnost (kus) FLOOR-850	1.3743 kg

## GL1200

Glass-white



## GL1202

Glass-green



## GL1204

Glass-black



Quantity (packing) GL1200-850	1 pc
Dimensions (piece) GL1200-850	1200x0xØ60 mm
Weight (piece) GL1200-850	1.6431 kg

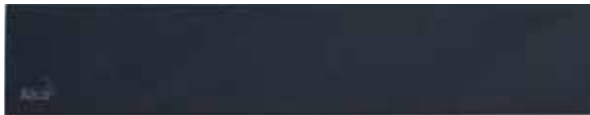
## MI1200

Artificial stone-white



## MI1205

Artificial stone-black



## MI1206

Artificial stone-sand



## MI1207

Artificial stone-granite



Quantity (packing) MI1200-850	1 pc
Dimensions (piece) MI1200-850	1200x0xØ60 mm
Weight (piece) MI1200-850	1.4891 kg

### STAINLESS STEEL

These grids have the following codes:

DESIGN – the basis is a stainless steel U-profile, with rounded edges. Two different finishes are available: polished and brushed matt.

POSH – a solid stainless steel plate is attached to the standard U-profile, with clean lines and well-defined edges. Surface finish is brushed matt.

Load class – K3.

### GLASS

These grids have the following codes:

GL line – tempered glass

The grids are based on stainless steel U-profiles to which a solid piece of tempered glass is attached, available in a range of colours and with a high gloss finish. The special, toughened glass conforms to the relevant safety regulations ČSN EN 12150-2.

Load class – H1.5.

### MINERAL

These grids have the following codes:

MI line – artificial stone

The grids are based on stainless steel U-profiles to which a solid, polished block of artificial stone is attached, available in a range of colours and with a matt finish.

Grids are resistant to breaking, cleaning agents and other chemicals. Thanks to their low thermal conductivity, they are not cold when touched. Unsightly stains from drops of water that have dried on its surface are relatively inconspicuous.

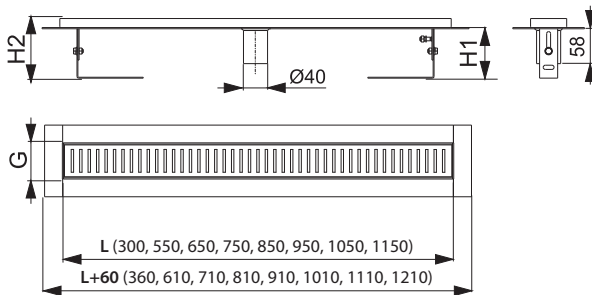
Load class – H1.5.

### APZ2001

Shower drain with an edge for perforated grids, without odour trap (300, 550, 650, 750, 850, 950, 1050, 1150 mm)



**25**  
YEAR WARRANTY



### LINE

Stainless steel-polished / Stainless steel-matt



### PURE

Stainless steel-polished / Stainless steel-matt



### CUBE

Stainless steel-polished / Stainless steel-matt



### HOPE

Stainless steel-polished / Stainless steel-matt



### BUBLE

Stainless steel-polished / Stainless steel-matt



### DREAM

Stainless steel-polished / Stainless steel-matt



#### APZ2001

Minimum floor thickness (H1)	85 mm
Total installation height (H2)	100–158 mm
Drain channel width (G)	60 mm
Flow rate (ČSN EN 1253)	>80 l/min
Outlet pipe diameter	Ø40
Load class (ČSN EN 1253)	K3 = max. 300 kg
Material – drain body (ČSN 17240)	stainless steel DIN 1.4301
Drain channel length (L)	300, 550, 650, 750, 850, 950, 1050, 1150 mm

Quantity (packing) APZ2001-850	12 pcs
Dimensions (piece) APZ2001-850	920x170x135 mm
Weight (piece) APZ2001-850	3.2992 kg

Quantity (packing) LINE-850	1 pc
Dimensions (piece) LINE-850	890x20x55 mm
Weight (piece) LINE-850	0.6485 kg

### APZ11 Antivandal, APZ111 Antivandal Low

Shower drain Antivandal with grid  
(300, 550, 650, 750, 850, 950, 1050, 1150 mm)



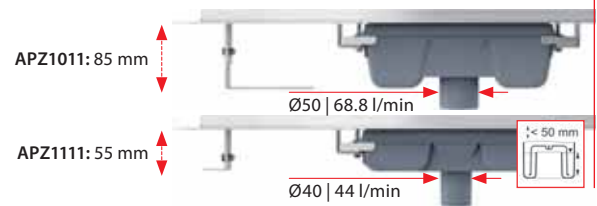
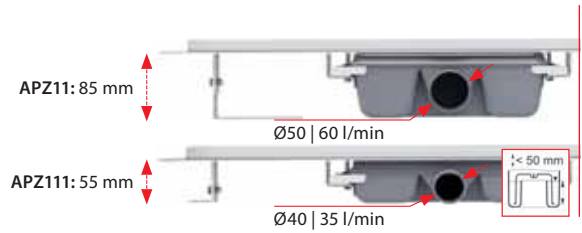
**25**  
YEAR WARRANTY

### APZ1011 Antivandal, APZ1111 Antivandal Low

Shower drain Antivandal with grid, straight outlet  
(300, 550, 650, 750, 850, 950, 1050, 1150 mm)



**25**  
YEAR WARRANTY

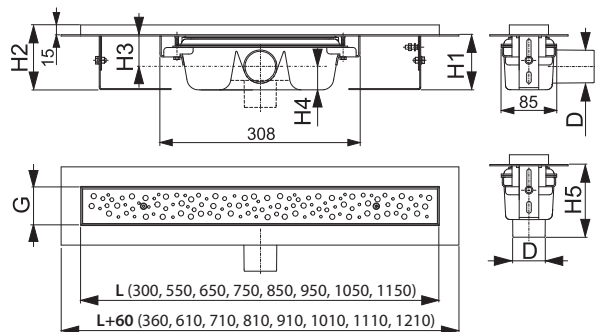


### BUBLE

Stainless steel-polished / Stainless steel-matt



The grid is included



	APZ11/1011	APZ111/1111
Minimum floor thickness (H1)	85 mm	55 mm
Total installation height (H2)	100–158 mm	70–96 mm
Height from the axis of the waste to the collar (H3)	48/- mm	33.5/- mm
Height from the axis of the waste to the bottom of the trap (H4)	36/- mm	21.5/- mm
Building height to the waste (H5)	-/111 mm	-/100 mm
Drain channel width (G)	60 mm	60 mm
Flow rate (ČSN EN 1253)	60/68.8 l/min	35/44 l/min
Outlet pipe diameter (D)	Ø50	Ø40
Load class (ČSN EN 1253)		K3 = max. 300 kg
Material – drain body (ČSN 17240)	stainless steel DIN 1.4301	
Material – odour trap	polypropylene	
Drain channel length (L)	300, 550, 650, 750, 850, 950, 1050, 1150 mm	

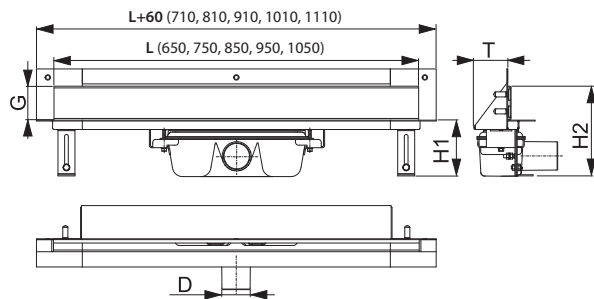
Quantity (packing) APZ11-850	12 pcs
Dimensions (piece) APZ11-850	920x135x170 mm
Weight (piece) APZ11-850	4.3762 kg

**APZ5-EDEN Spa**  
**APZ5-SHADE Spa**  
**APZ5-TWIN Spa**

Waste system for installation in walls  
 (650, 750, 850, 950, 1050 mm)



**25**  
 YEAR WARRANTY



APZ5	
Minimum floor thickness (H1)	100 mm
Total installation height (H2)	165–220 mm
Cover width (G)	60 mm
Flow rate (ČSN EN 1253)	60 l/min
Outlet pipe diameter (D)	Ø50
Installation depth (T)	85 mm
Material – drain body (ČSN 17240)	stainless steel DIN 1.4301
Material – odour trap	polypropylene
Drain channel length (L)	650, 750, 850, 950, 1050 mm

Quantity (packing) APZ5-SHADE-850	8 pcs
Dimensions (piece) APZ5-SHADE-850	920x160x205 mm
Weight (piece) APZ5-SHADE-850	6.2432 kg

**APZ5-EDEN**

Cover stainless steel-polished



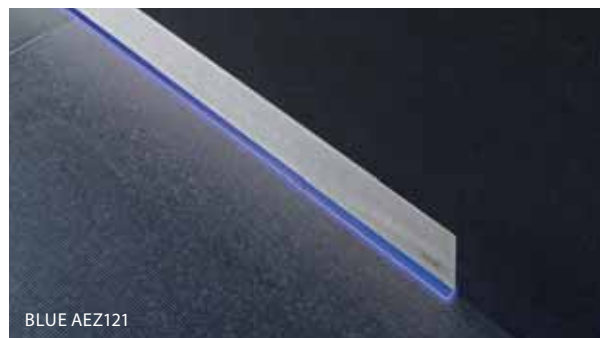
**APZ5-SHADE**

Cover stainless steel-matt



**APZ5-TWIN**

Cover for embedding tiles



**ALCA LIGHT**

APZ5 Spa backlighting

Length varieties of backlighting for APZ5 Spa shower drains

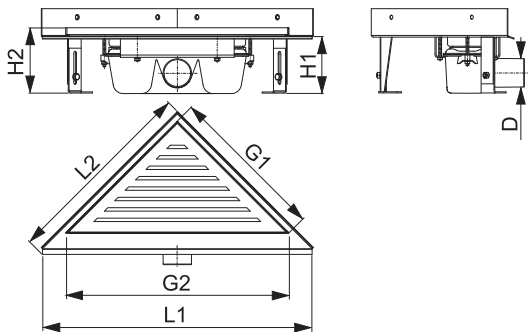
Lighting colour	Length of the drain (mm)	650	750	850	950	1050
White	Code of backlighting in the length of the drain	AEZ 120-650	AEZ 120-750	AEZ 120-850	AEZ 120-950	AEZ 120-1050
Blue		AEZ 121-650	AEZ 121-750	AEZ 121-850	AEZ 121-950	AEZ 121-1050
Green		AEZ 122-650	AEZ 122-750	AEZ 122-850	AEZ 122-950	AEZ 122-1050
Red		AEZ 123-650	AEZ 123-750	AEZ 123-850	AEZ 123-950	AEZ 123-1050
Rainbow		AEZ 124-650	AEZ 124-750	AEZ 124-850	AEZ 124-950	AEZ 124-1050

Source for backlighting APZ5 Spa – AEZ 310, AEZ311, AEZ320 – page 28

**ARZ1**

Corner shower drain without an edge for perforated grids

25  
 YEAR WARRANTY



<b>ARZ1</b>	
Minimum floor thickness (H1)	100 mm
Total installation height (H2)	110–170 mm
Drain dimensions (L1×L2)	475×340 mm
Grid dimensions (G1×G2)	270×382 mm
Flow rate (ČSN EN 1253)	60 l/min
Outlet pipe diameter (D)	Ø50
Load class (ČSN EN 1253)	K3 = max. 300 kg
Material – drain body (ČSN 17240)	stainless steel DIN 1.4301
Material – odour trap	polypropylene

Quantity (packing) ARZ1	4 pcs
Dimensions (piece) ARZ1	490×125×330 mm
Weight (piece) ARZ1	3.1764 kg

**LIFE**

Stainless steel-matt


**GRACE**

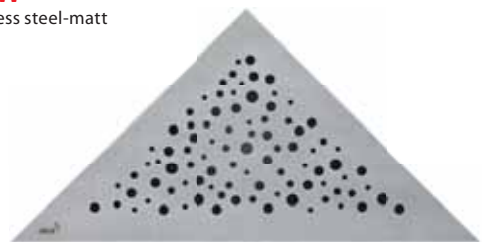
Stainless steel-matt


**TIME**

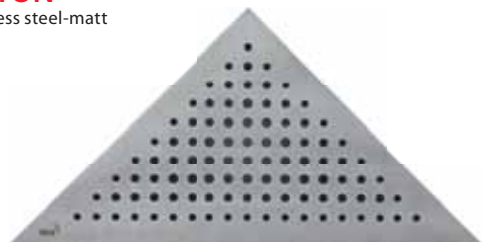
Stainless steel-matt


**VIEW**

Stainless steel-matt


**TRITON**

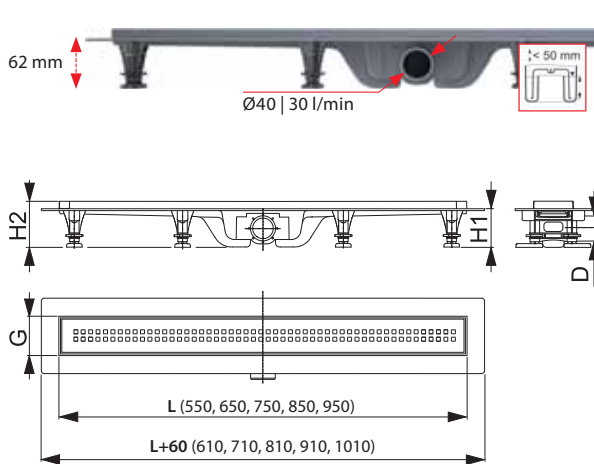
Stainless steel-matt



Quantity (packing) LIFE	1 pc
Dimensions (piece) LIFE	390×20×195 mm
Weight (piece) LIFE	1.2319 kg

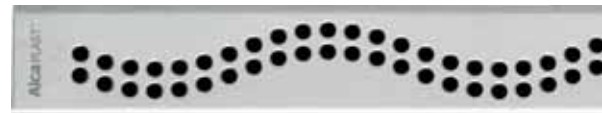
**APZ8 Simple**  
**APZ9 Simple**  
**APZ10 Simple**

Shower drain with an edge for perforated grids  
(550, 650, 750, 850, 950 mm)



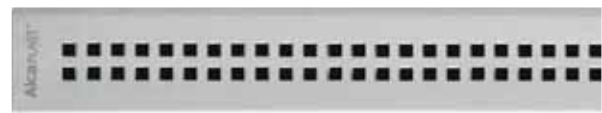
**APZ8 Simple**

Stainless steel-matt – the grid is included



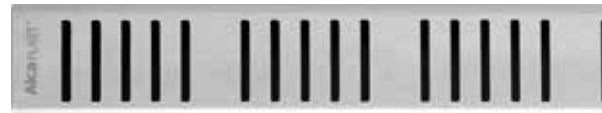
**APZ9 Simple**

Stainless steel-matt – the grid is included



**APZ10 Simple**

Stainless steel-matt – the grid is included



**APZ8 / APZ9 / APZ10**

Minimum floor thickness (H1)	62 mm
Total installation height (H2)	75–110 mm
Drain channel width (G)	60 mm
Flow rate (ČSN EN 1253)	30 l/min
Outlet pipe diameter (D)	Ø40
Load class (ČSN EN 1253)	K3 = max. 300 kg
Material – drain body	polypropylene
Material – odour trap	polypropylene
Drain channel length (L)	550, 650, 750, 850, 950 mm

**Package content**

- linear shower drain
- grid
- waterproof tape at the length of the linear drain
- combined odour SMART trap
- anchoring kit (screws, dowels)
- installation legs
- dismantling hook



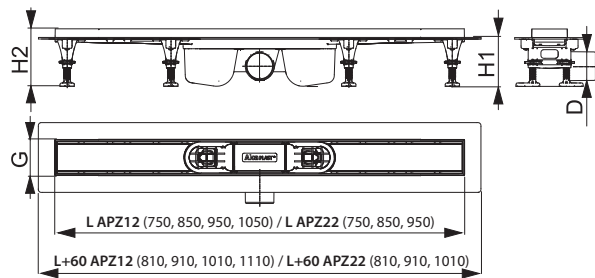
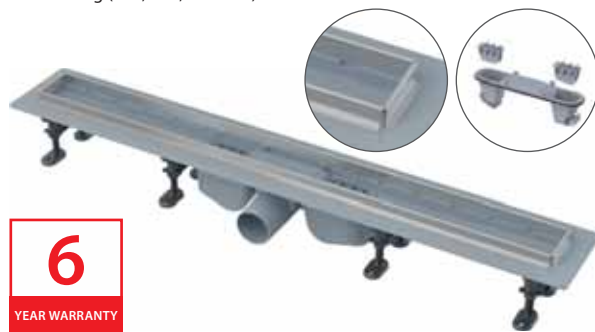
### APZ12 Optimal

Shower drain with an edge for perforated grids or tile embedding (750, 850, 950, 1050 mm)



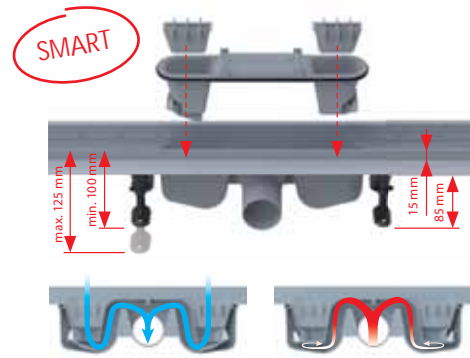
### APZ22 Optimal

Shower drain with a stainless steel edge for perforated grids or tile embedding (750, 850, 950 mm)



	APZ12	APZ22
Minimum floor thickness (H1)	85 mm	85 mm
Total installation height (H2)	100–125 mm	101–126 mm
Drain channel width (G)	61.5 mm	63 mm
Flow rate (ČSN EN 1253)	63 l/min	63 l/min
Outlet pipe diameter (D)	Ø50	Ø50
Load class (ČSN EN 1253)	K3 = max. 300 kg	
Material – drain body	polypropylene	stainless steel DIN 1.4301 / polypropylene
Material – odour trap	polypropylene	
Drain channel length (L)	750, 850, 950, 1050 mm	750, 850, 950 mm

Quantity (packing) APZ12-850	12 pcs
Dimensions (piece) APZ12-850	920x125x150 mm
Weight (piece) APZ12-850	1.51 kg



### LINE

Stainless steel-polished / Stainless steel-matt



### PURE

Stainless steel-polished / Stainless steel-matt



### CUBE

Stainless steel-polished / Stainless steel-matt



### HOPE

Stainless steel-polished / Stainless steel-matt



### BUBBLE

Stainless steel-polished / Stainless steel-matt



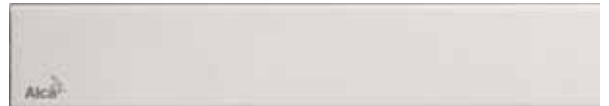
### DREAM

Stainless steel-polished / Stainless steel-matt



### SOLID

Stainless steel-matt



### TILE

Grid for embedding tiles



Quantity (packing) LINE-850	1 pc
Dimensions (piece) LINE-850	890x20x55 mm
Weight (piece) LINE-850	0.6485 kg

### APZ2012 Optimal

Shower drain with an edge for perforated grids or tile embedding, without odour trap (550, 650, 750, 850 mm)

N



**6**  
YEAR WARRANTY FROM IV. Q



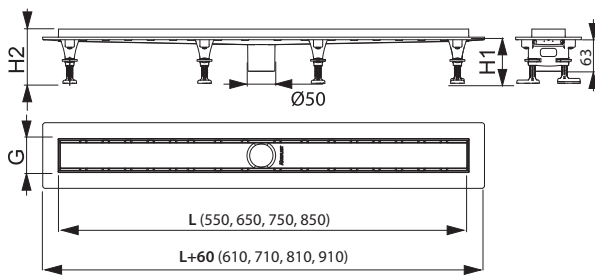
### APZ2022 Optimal

Shower drain with a stainless steel edge for perforated grids or tile embedding, without odour trap (550, 650, 750, 850 mm)

N



**6**  
YEAR WARRANTY FROM IV. Q



	APZ2012	APZ2022
Minimum floor thickness (H1)	85 mm	85 mm
Total installation height (H2)	100–125 mm	101–126 mm
Drain channel width (G)	61.5 mm	63 mm
Flow rate (ČSN EN 1253)	>80 l/min	>80 l/min
Outlet pipe diameter	Ø50	Ø50
Load class (ČSN EN 1253)		K3 = max. 300 kg
Material – drain body	polypropylene	stainless steel DIN 1.4301 / polypropylene
Material – odour trap		polypropylene
Drain channel length (L)	550, 650, 750, 850 mm	

Quantity (packing) APZ2012-850	– pcs
Dimensions (piece) APZ2012-850	– mm
Weight (piece) APZ2012-850	– kg

### LINE

Stainless steel-polished / Stainless steel-matt



### PURE

Stainless steel-polished / Stainless steel-matt



### CUBE

Stainless steel-polished / Stainless steel-matt



### HOPE

Stainless steel-polished / Stainless steel-matt



### BUBLE

Stainless steel-polished / Stainless steel-matt



### DREAM

Stainless steel-polished / Stainless steel-matt



### SOLID

Stainless steel-matt



### TILE

Grid for embedding tiles



Quantity (packing) LINE-850	1 pc
Dimensions (piece) LINE-850	890x20x55 mm
Weight (piece) LINE-850	0.6485 kg



**P095**

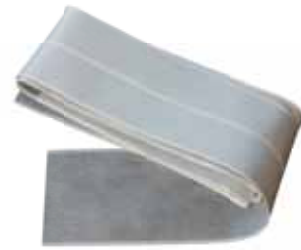
Set of combined odour traps for stainless steel shower drains ALCA



Quantity (packing)	1 pc
Quantity (pallet)	- pcs

**AHP80**

Waterproof tape – length 1200 mm



Quantity (packing)	1 pc
Quantity (pallet)	- pcs

PRE-WALL INSTALLATION SYSTEMS

VALVES

WC SEATS

LINEAR DRAINS

INDUSTRIAL STAINLESS STEEL DRAINAGE SYSTEM

OUTDOOR DRAINAGE SYSTEM

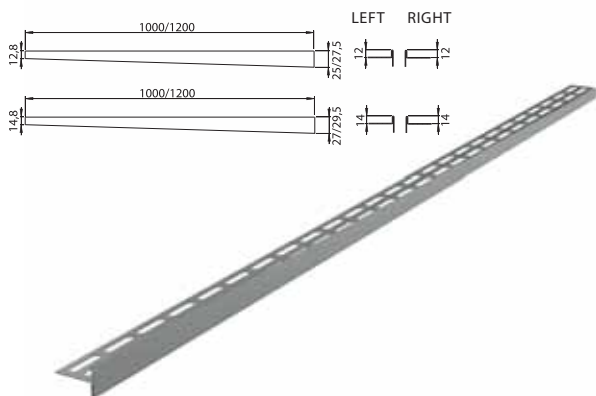
FLOOR DRAINS

WASTES AND TRAPS

FLEXI PIPES

WC ACCESSORIES

### Stainless steel strip for sloped floors



Quantity (packing) 1 pc  
 Dimensions (piece) 1000×36×27,5 mm  
 Material (ČSN 17240) stainless steel DIN 1.4301

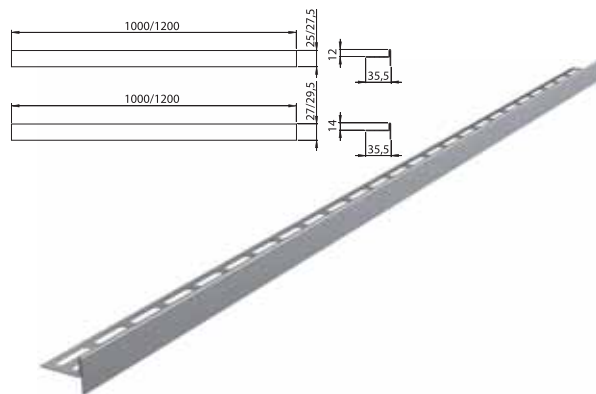
Table of variants for stainless steel strips for sloped floor

Code	Flange height	Length (mm)	Type	Version
APZ 901M/1000	12	1000	left	matt
APZ 902M/1000	12	1000	right	matt
APZ 903M/1000	14	1000	left	matt
APZ 904M/1000	14	1000	right	matt

Code	Flange height	Length (mm)	Type	Version
APZ 901M/1200	12	1200	left	matt
APZ 902M/1200	12	1200	right	matt
APZ 903M/1200	14	1200	left	matt
APZ 904M/1200	14	1200	right	matt

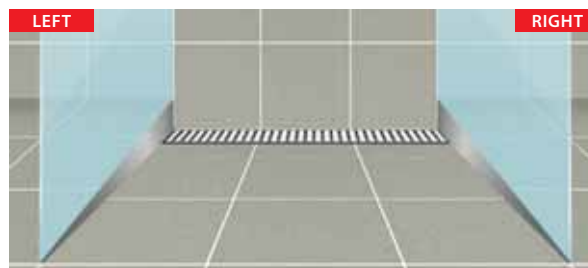
### Stainless steel double-sided strip for sloped floors



Quantity (packing) 1 pc  
 Dimensions (piece) 1000×36×27 mm  
 Material (ČSN 17240) stainless steel DIN 1.4301

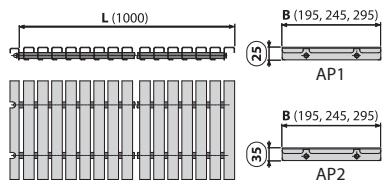
Table of variants for stainless steel strips for sloped floor

Code	Flange height	Length (mm)	Type	Version
APZ 905M/1000	12	1000	double-sided	matt
APZ 905M/1200	12	1200	double-sided	matt
APZ 906M/1000	14	1000	double-sided	matt
APZ 906M/1200	14	1200	double-sided	matt



**AP1, AP2**

Swimming pool overflow grating without anti-slip surface



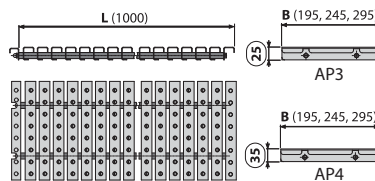
**15**  
YEAR WARRANTY



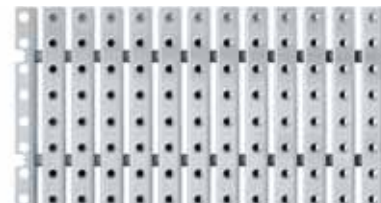
Quantity (packing)	1 pc
Quantity (pallet)	- pcs
Material	stainless steel AISI 316, DIN 1.4401, ČSN 17346

**AP3, AP4**

Swimming pool overflow grating with anti-slip surface



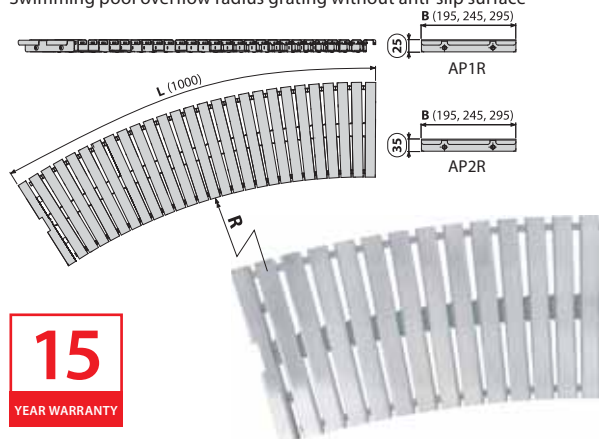
**15**  
YEAR WARRANTY



Quantity (packing)	1 pc
Quantity (pallet)	- pcs
Material	stainless steel AISI 316, DIN 1.4401, ČSN 17346

**AP1R, AP2R**

Swimming pool overflow radius grating without anti-slip surface



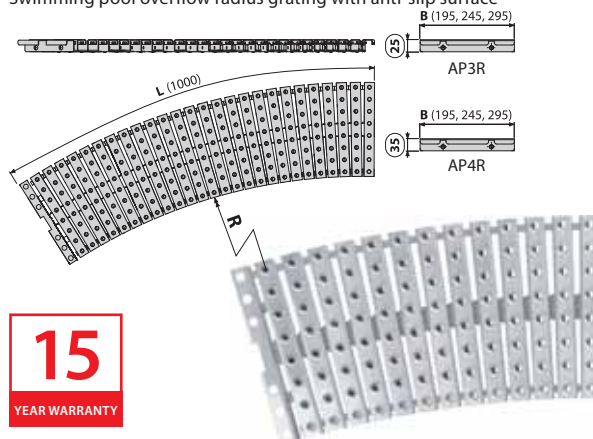
**15**  
YEAR WARRANTY



Quantity (packing)	1 pc
Quantity (pallet)	- pcs
Material	stainless steel AISI 316, DIN 1.4401, ČSN 17346

**AP3R, AP4R**

Swimming pool overflow radius grating with anti-slip surface



**15**  
YEAR WARRANTY



Quantity (packing)	1 pc
Quantity (pallet)	- pcs
Material	stainless steel AISI 316, DIN 1.4401, ČSN 17346

**Non-standard product solution:**

Non-standard sizes and other special solutions can be supplied as an individual project on order (length, shape, placement of the waste and trap, a type of stainless steel, etc.).



# Industrial stainless steel drainage system

Box drains	78
Slotted drains	80
Drainage channels	82

**APR1-1150**

Industrial drain stainless steel AISI 304

**APR1-1250**

Industrial drain stainless steel AISI 316L



Quantity (packing)	—
Quantity (pallet)	—
Material	stainless steel 1.5 mm

**APR1-1151**

Industrial drain with box inlet stainless steel AISI 304

**APR1-1251**

Industrial drain with box inlet stainless steel AISI 316L



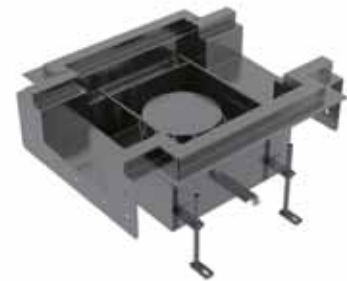
Quantity (packing)	—
Quantity (pallet)	—
Material	stainless steel 1.5 mm

**APR1-1152**

Industrial drain with box inlets stainless steel AISI 304

**APR1-1252**

Industrial drain with box inlets stainless steel AISI 316L



Quantity (packing)	—
Quantity (pallet)	—
Material	stainless steel 1.5 mm

**APR1-1102**

Industrial corner box drain stainless steel AISI 304

**APR1-1202**

Industrial corner box drain stainless steel AISI 316L



Quantity (packing)	—
Quantity (pallet)	—
Material	stainless steel 1.5 mm

**APR1-1101**

Industrial box drain stainless steel AISI 304

**APR1-1201**

Industrial box drain stainless steel AISI 316L



Quantity (packing)	—
Quantity (pallet)	—
Material	stainless steel 1.5 mm

**APR1-1101S**

Industrial box drain with a slope stainless steel AISI 304

**APR1-1201S**

Industrial box drain with a slope stainless steel AISI 316L



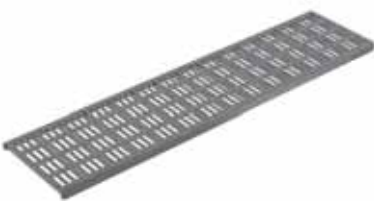
Quantity (packing)	—
Quantity (pallet)	—
Material	stainless steel 1.5 mm

**APR1-1132**

Cover grating for industrial box drain stainless steel AISI 304

**APR1-1232**

Cover grating for industrial box drain stainless steel AISI 316L



Quantity (packing)	—
Quantity (pallet)	—
Material	stainless steel 1.5 mm

**APR1-1133**

Cover grating for industrial corner box drain stainless steel AISI 304

**APR1-1233**

Cover grating for industrial corner box drain stainless steel AISI 316L



Quantity (packing)	—
Quantity (pallet)	—
Material	stainless steel 1.5 mm

**APR1-1134**

Cover grating for industrial drain APR1 with inlet stainless steel AISI 304

**APR1-1234**

Cover grating for industrial drain APR1 with inlet stainless steel AISI 316L



Quantity (packing)	—
Quantity (pallet)	—
Material	stainless steel 1.5 mm

**APR1-1131**

Cover grating for industrial drain APR1 stainless steel AISI 304

**APR1-1231**

Cover grating for industrial drain APR1 stainless steel AISI 316L

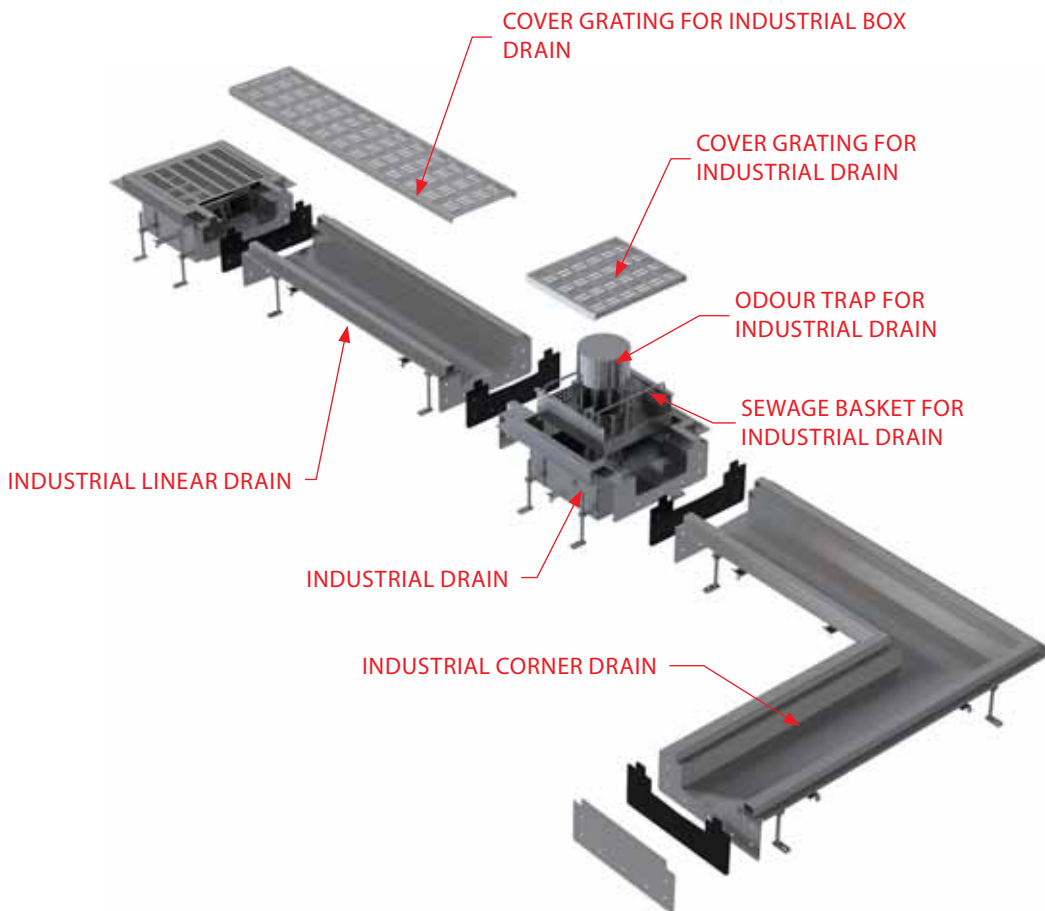
**APR1-P109**

End cap for box drain AISI 304

**APR1-P010**

End cap for box drain AISI 316L

Quantity (packing)	-	Quantity (packing)	-
Quantity (pallet)	-	Quantity (pallet)	-
Material	stainless steel 1.5 mm	Material	stainless steel 1.5 mm



**APR2-1150**

Industrial drain stainless steel AISI 304

**APR2-1250**

Industrial drain stainless steel AISI 316L



Quantity (packing)	—
Quantity (pallet)	—
Material	stainless steel 1.5 mm

**APR2-1151**

Industrial drain with slotted inlet stainless steel AISI 304

**APR2-1251**

Industrial drain with slotted inlet stainless steel AISI 316L



Quantity (packing)	—
Quantity (pallet)	—
Material	stainless steel 1.5 mm

**APR2-1152**

Industrial drain with slotted inlets stainless steel AISI 304

**APR2-1252**

Industrial drain with slotted inlets stainless steel AISI 316L



Quantity (packing)	—
Quantity (pallet)	—
Material	stainless steel 1.5 mm

**APR2-1102**

Industrial corner slotted drain stainless steel AISI 304

**APR2-1202**

Industrial corner slotted drain stainless steel AISI 316L



Quantity (packing)	—
Quantity (pallet)	—
Material	stainless steel 1.5 mm

**APR2-1101**

Industrial slotted drain stainless steel AISI 304

**APR2-1201**

Industrial slotted drain stainless steel AISI 316L



Quantity (packing)	—
Quantity (pallet)	—
Material	stainless steel 1.5 mm

**APR2-1101S**

Industrial slotted drain with a slope stainless steel AISI 304

**APR2-1201S**

Industrial slotted drain with a slope stainless steel AISI 316L



Quantity (packing)	—
Quantity (pallet)	—
Material	stainless steel 1.5 mm

**APR2-1131**

Cover grating for industrial drain APR2 stainless steel AISI 304

**APR2-1231**

Cover grating for industrial drain APR2 stainless steel AISI 316L



Quantity (packing)	—
Quantity (pallet)	—
Material	stainless steel 1.5 mm

**APR2-P109**

End cap for slotted drain AISI 304

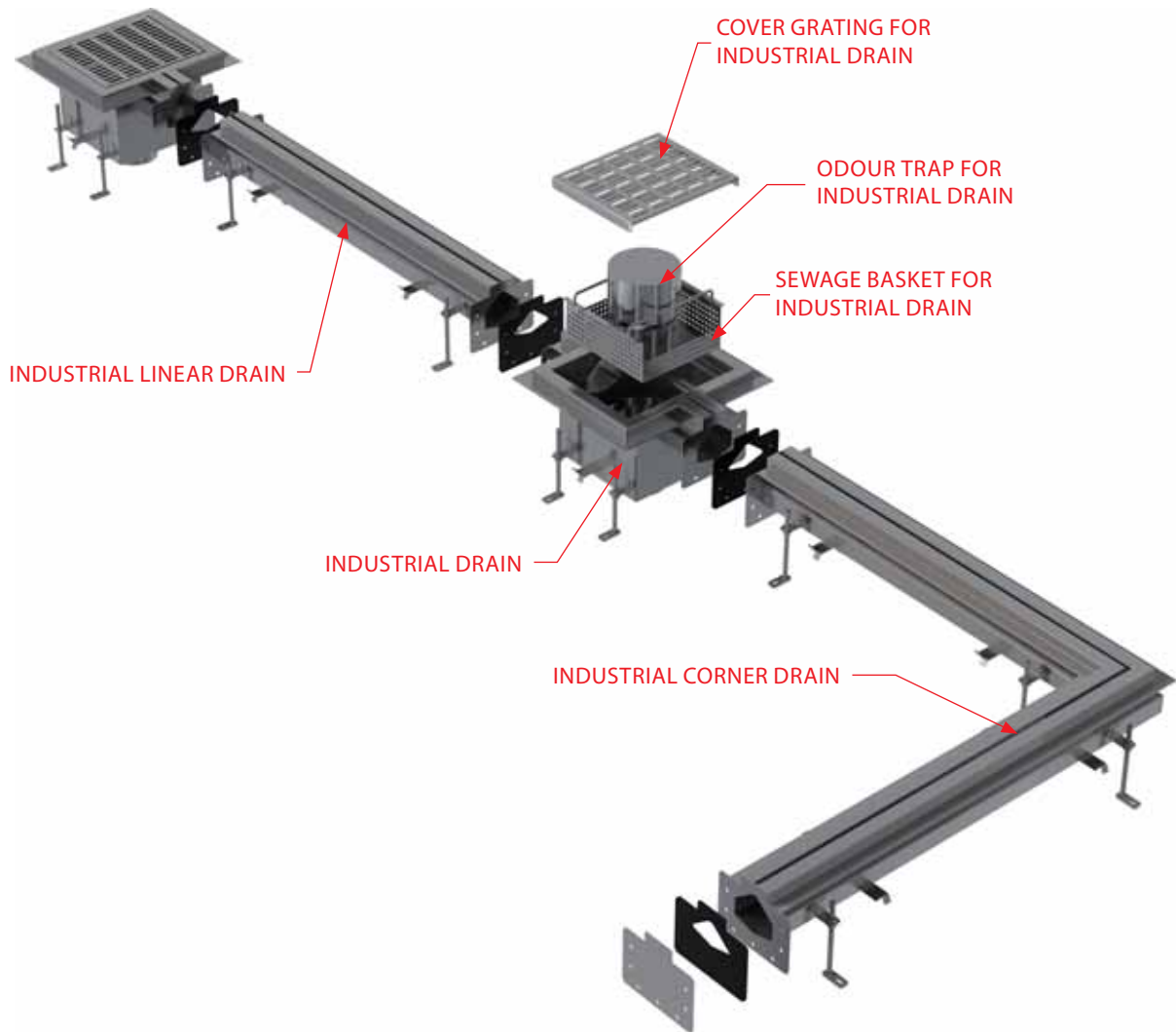
**APR2-P010**

End cap for slotted drain AISI 316L



Quantity (packing)	—
Quantity (pallet)	—
Material	stainless steel 1.5 mm





INDUSTRIAL LINEAR DRAIN

COVER GRATING FOR INDUSTRIAL DRAIN

ODOUR TRAP FOR INDUSTRIAL DRAIN

SEWAGE BASKET FOR INDUSTRIAL DRAIN

INDUSTRIAL DRAIN

INDUSTRIAL CORNER DRAIN

PRE-WALL INSTALLATION SYSTEMS

VALVES

WC SEATS

LINEAR DRAINS

INDUSTRIAL STAINLESS STEEL DRAINAGE SYSTEM

OUTDOOR DRAINAGE SYSTEM

FLOOR DRAINS

WASTES AND TRAPS

FLEXI PIPES

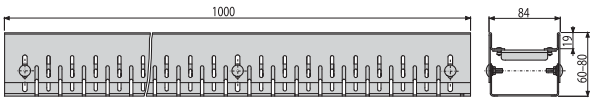
WC ACCESSORIES

**ADZ101V**

Drainage channel 75 mm adjustable, galvanized steel

**ADZ301V**

Drainage channel 75 mm adjustable, stainless steel



Quantity (packing)	1 pc
Quantity (pallet)	100 pcs
Material	galvanized steel/stainless steel

**ADZ-R101**

Grid for drainage channel 75 mm, galvanized steel

**ADZ-R301**

Grid for drainage channel 75 mm, stainless steel



**ADZ-R102**

Grid for drainage channel 75 mm, galvanized steel

**ADZ-R302**

Grid for drainage channel 75 mm, stainless steel



**ADZ-R103**

Grid for drainage channel 75 mm, galvanized steel

**ADZ-R303**

Grid for drainage channel 75 mm, stainless steel



**ADZ-R104**

Grid for drainage channel 75 mm, galvanized steel

**ADZ-R304**

Grid for drainage channel 75 mm, stainless steel



**ADZ-P003**

End cap for drainage channel 75 mm, galvanized steel

**ADZ-P001**

End cap for drainage channel 75 mm, stainless steel



Quantity (packing)	-
Quantity (pallet)	-
Material	galvanized steel/stainless steel

**ADZ-P007**

Coupler for drainage channel 75 mm, galvanized steel

**ADZ-P005**

Coupler for drainage channel 75 mm, stainless steel



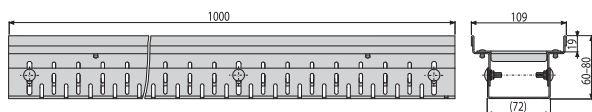
Quantity (packing)	-
Quantity (pallet)	-
Material	galvanized steel/stainless steel

### ADZ102V

Drainage channel 100 mm adjustable, galvanized steel

### ADZ302V

Drainage channel 100 mm adjustable, stainless steel



Quantity (packing)	1 pc
Quantity (pallet)	100 pcs
Material	galvanized steel/stainless steel

### ADZ-R121

Grid for drainage channel 100 mm, galvanized steel

### ADZ-R321

Grid for drainage channel 100 mm, stainless steel



### ADZ-R122

Grid for drainage channel 100 mm, galvanized steel

### ADZ-R322

Grid for drainage channel 100 mm, stainless steel



### ADZ-R123

Grid for drainage channel 100 mm, galvanized steel

### ADZ-R323

Grid for drainage channel 100 mm, stainless steel



### ADZ-R124

Grid for drainage channel 100 mm, galvanized steel

### ADZ-R324

Grid for drainage channel 100 mm, stainless steel



### ADZ-P004

End cap for drainage channel 100 mm, galvanized steel

### ADZ-P002

End cap for drainage channel 100 mm, stainless steel



Quantity (packing)	-
Quantity (pallet)	-
Material	galvanized steel/stainless steel

### ADZ-P008

Coupler for drainage channel 100 mm, galvanized steel

### ADZ-P006

Coupler for drainage channel 100 mm, stainless steel



Quantity (packing)	-
Quantity (pallet)	-
Material	galvanized steel/stainless steel

PRE-WALL INSTALLATION SYSTEMS

VALVES

WC SEATS

LINEAR DRAINS

INDUSTRIAL STAINLESS STEEL DRAINAGE SYSTEM

OUTDOOR DRAINAGE SYSTEM

FLOOR DRAINS

WASTES AND TRAPS

FLEXI PIPES

WC ACCESSORIES

**ADZ101VR**

Drainage corner channel 75 mm adjustable, galvanized steel



**ADZ301VR**

Drainage corner channel 75 mm adjustable, stainless steel



Quantity (packing)	1 pc
Quantity (pallet)	pcs
Material	galvanized steel/stainless steel

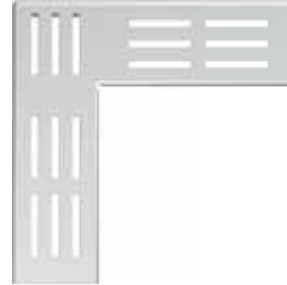
**ADZ-R101R**

Grid for drainage corner channel 75 mm, galvanized steel



**ADZ-R301R**

Grid for drainage corner channel 75 mm, stainless steel



**ADZ-R102R**

Grid for drainage corner channel 75 mm, galvanized steel



**ADZ-R302R**

Grid for drainage corner channel 75 mm, stainless steel



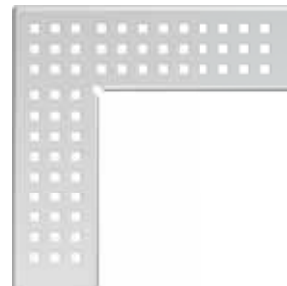
**ADZ-R103R**

Grid for drainage corner channel 75 mm, galvanized steel



**ADZ-R303R**

Grid for drainage corner channel 75 mm, stainless steel



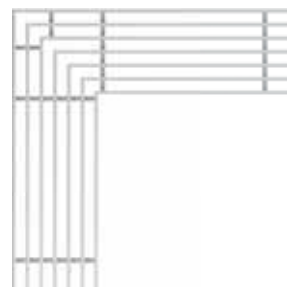
**ADZ-R104R**

Grid for drainage corner channel 75 mm, galvanized steel



**ADZ-R304R**

Grid for drainage corner channel 75 mm, stainless steel



**ADZ102VR**

Drainage corner channel 100 mm adjustable, galvanized steel



**ADZ302VR**

Drainage corner channel 100 mm adjustable, stainless steel



Quantity (packing)	1 pc
Quantity (pallet)	pcs
Material	galvanized steel/stainless steel

**ADZ-R121R**

Grid for drainage corner channel 100 mm, galvanized steel



**ADZ-R321R**

Grid for drainage corner channel 100 mm, stainless steel



**ADZ-R122R**

Grid for drainage corner channel 100 mm, galvanized steel



**ADZ-R322R**

Grid for drainage corner channel 100 mm, stainless steel



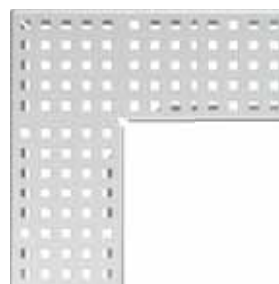
**ADZ-R123R**

Grid for drainage corner channel 100 mm, galvanized steel



**ADZ-R323R**

Grid for drainage corner channel 100 mm, stainless steel



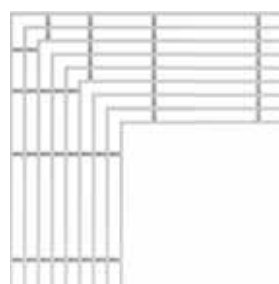
**ADZ-R124R**

Grid for drainage corner channel 100 mm, galvanized steel



**ADZ-R324R**

Grid for drainage corner channel 100 mm, stainless steel



PRE-WALL INSTALLATION SYSTEMS

VALVES

WC SEATS

LINEAR DRAINS

INDUSTRIAL STAINLESS STEEL DRAINAGE SYSTEM

OUTDOOR DRAINAGE SYSTEM

FLOOR DRAINS

WASTES AND TRAPS

FLEXI PIPES

WC ACCESSORIES



# Outdoor drainage system

Outdoor drain channels	88
Outdoor drain channels HOME (load class A15)	88
Outdoor drain channels HOME+ (load class A15)	88
Outdoor drain channels STANDARD (load class B125)	89
Outdoor drain channels PROFI (load class C250)	90
Outdoor drain channels TOP (load class D400)	92
Outdoor slotted channels (load class C250)	93
Outdoor drain channels – accessories	97
Universal rain drums	98
Universal rain drums – accessories	98

**AVZ101-R101**

Outdoor drain channel 100 mm without frame with galvanized "T" profile grid A15



Quantity (packing)	1 pc
Quantity (pallet)	60 pcs
Material	polypropylene filled with talc

**AVZ101R-R101S**

Outdoor drain box for AVZ101 without frame with galvanized "T" profile grid A15



Quantity (packing)	1 pc
Quantity (pallet)	24 pcs
Material	polypropylene filled with talc

**AVZ102-R102**

Outdoor drain channel 100 mm with plastic frame and galvanized "C" profile grid A15



Quantity (packing)	1 pc
Quantity (pallet)	60 pcs
Material	polypropylene filled with talc

**AVZ102R-R102S**

Outdoor drain box for AVZ102 with plastic frame and galvanized "C" profile grid A15



Quantity (packing)	1 pc
Quantity (pallet)	24 pcs
Material	polypropylene filled with talc



### AVZ104-R401

Outdoor drain channel 100 mm with plastic frame and plastic grid A15



Quantity (packing)	1 pc
Quantity (pallet)	60 pcs
Material	polypropylene filled with talc

### AVZ104R-R401

Outdoor drain box for AVZ104 with plastic frame and plastic grid A15



Quantity (packing)	1 pc
Quantity (pallet)	24 pcs
Material	polypropylene filled with talc

### AVZ104-R402

Outdoor drain channel 100 mm with plastic frame and composite grid B125



Quantity (packing)	1 pc
Quantity (pallet)	60 pcs
Material	polypropylene filled with talc

### AVZ104R-R402

Outdoor drain box for AVZ104 with plastic frame and composite grid B125



Quantity (packing)	1 pc
Quantity (pallet)	24 pcs
Material	polypropylene filled with talc

**AVZ102-R103**

Outdoor drain channel 100 mm with plastic frame and galvanized grid B125



Quantity (packing)	1 pc
Quantity (pallet)	60 pcs
Material	polypropylene filled with talc

**AVZ102R-R103S**

Outdoor drain box for AVZ102 with plastic frame and galvanized grid B125



Quantity (packing)	1 pc
Quantity (pallet)	24 pcs
Material	polypropylene filled with talc

**AVZ103-R403**

Outdoor drain channel 100 mm with metal frame and composite grid C250



Quantity (packing)	1 pc
Quantity (pallet)	60 pcs
Material	polypropylene filled with talc

**AVZ103R-R403**

Outdoor drain box for AVZ103 with metal frame and composite grid C250



Quantity (packing)	1 pc
Quantity (pallet)	24 pcs
Material	polypropylene filled with talc

### AVZ103-R202

Outdoor drain channel 100 mm with metal frame and cast iron grid C250



Quantity (packing)	1 pc
Quantity (pallet)	30 pcs
Material	polypropylene filled with talc

### AVZ103R-R202

Outdoor drain box for AVZ103 with metal frame and cast iron grid C250



Quantity (packing)	1 pc
Quantity (pallet)	24 pcs
Material	polypropylene filled with talc

### AVZ103-R104

Outdoor drain channel 100 mm with metal frame and galvanized grid C250



Quantity (packing)	1 pc
Quantity (pallet)	30 pcs
Material	polypropylene filled with talc

### AVZ103R-R104S

Outdoor drain box for AVZ103 with metal frame and galvanized grid C250



Quantity (packing)	1 pc
Quantity (pallet)	24 pcs
Material	polypropylene filled with talc

**AVZ103-R201**

Outdoor drain channel 100 mm with metal frame and a cast iron grid D400



Quantity (packing)	1 pc
Quantity (pallet)	30 pcs
Material	polypropylene filled with talc

**AVZ103R-R201**

Outdoor drain box for AVZ103 with metal frame and cast iron grid D400



Quantity (packing)	1 pc
Quantity (pallet)	24 pcs
Material	polypropylene filled with talc

**AVZ101-R121**

Outdoor slotted channel with asymmetrical extension 100 mm, galvanized steel

**AVZ101-R321**

Outdoor slotted channel with asymmetrical extension 100 mm, stainless steel



Quantity (packing)	1 pc
Quantity (pallet)	30 pcs
Material	polypropylene filled with talc

**AVZ101S-R121R**

Outdoor slotted channel with asymmetrical access cover 100 mm, galvanized steel

**AVZ101S-R321R**

Outdoor slotted channel with asymmetrical access cover 100 mm, stainless steel



Quantity (packing)	1 pc
Quantity (pallet)	30 pcs
Material	polypropylene filled with talc

**AVZ101R-R121R**

Outdoor slotted drain box with asymmetrical access cover 100 mm, galvanized steel

**AVZ101R-R321R**

Outdoor slotted drain box with asymmetrical access cover 100 mm, stainless steel



Quantity (packing)	1 pc
Quantity (pallet)	30 pcs
Material	polypropylene filled with talc

PRE-WALL INSTALLATION SYSTEMS

VALVES

WC SEATS

LINEAR DRAINS

INDUSTRIAL STAINLESS STEEL DRAINAGE SYSTEM

OUTDOOR DRAINAGE SYSTEM

FLOOR DRAINS

WASTES AND TRAPS

FLEXI PIPES

WC ACCESSORIES

**AVZ101-R122**

Outdoor slotted channel with asymmetrical extension 160 mm, galvanized steel

**AVZ101-R322**

Outdoor slotted channel with asymmetrical extension 160 mm, stainless steel



Quantity (packing)	1 pc
Quantity (pallet)	30 pcs
Material	polypropylene filled with talc

**AVZ101S-R122R**

Outdoor slotted channel with asymmetrical access cover 160 mm, galvanized steel

**AVZ101S-R322R**

Outdoor slotted channel with asymmetrical access cover 160 mm, stainless steel



Quantity (packing)	1 pc
Quantity (pallet)	30 pcs
Material	polypropylene filled with talc

**AVZ101R-R122R**

Outdoor slotted drain box with asymmetrical access cover 160 mm, galvanized steel

**AVZ101R-R322R**

Outdoor slotted drain box with asymmetrical access cover 160 mm, stainless steel



Quantity (packing)	1 pc
Quantity (pallet)	30 pcs
Material	polypropylene filled with talc

**AVZ101-R123**

Outdoor slotted channel with symmetrical extension 100 mm, galvanized steel

**AVZ101-R323**

Outdoor slotted channel with symmetrical extension 100 mm, stainless steel



Quantity (packing)	1 pc
Quantity (pallet)	30 pcs
Material	polypropylene filled with talc

**AVZ101S-R123R**

Outdoor slotted channel with symmetrical access cover 100 mm, galvanized steel

**AVZ101S-R323R**

Outdoor slotted channel with symmetrical access cover 100 mm, stainless steel



Quantity (packing)	1 pc
Quantity (pallet)	30 pcs
Material	polypropylene filled with talc

**AVZ101R-R123R**

Outdoor slotted drain box with symmetrical access cover 100 mm, galvanized steel

**AVZ101R-R323R**

Outdoor slotted drain box with symmetrical access cover 100 mm, stainless steel



Quantity (packing)	1 pc
Quantity (pallet)	30 pcs
Material	polypropylene filled with talc

PRE-WALL INSTALLATION SYSTEMS

VALVES

WC SEATS

LINEAR DRAINS

INDUSTRIAL STAINLESS STEEL DRAINAGE SYSTEM

OUTDOOR DRAINAGE SYSTEM

FLOOR DRAINS

WASTES AND TRAPS

FLEXI PIPES

WC ACCESSORIES

**AVZ101-R124**

Outdoor slotted channel with symmetrical extension 160 mm, galvanized steel

**AVZ101-R324**

Outdoor slotted channel with symmetrical extension 160 mm, stainless steel



Quantity (packing)	1 pc
Quantity (pallet)	30 pcs
Material	polypropylene filled with talc

**AVZ101S-R124R**

Outdoor slotted channel with symmetrical access cover 160 mm, galvanized steel

**AVZ101S-R324R**

Outdoor slotted channel with symmetrical access cover 160 mm, stainless steel



Quantity (packing)	1 pc
Quantity (pallet)	30 pcs
Material	polypropylene filled with talc

**AVZ101R-R124R**

Outdoor slotted drain box with symmetrical access cover 160 mm, galvanized steel

**AVZ101R-R324R**

Outdoor slotted drain box with symmetrical access cover 160 mm, stainless steel



Quantity (packing)	1 pc
Quantity (pallet)	30 pcs
Material	polypropylene filled with talc



**AVZ-P001**

Socket for connection to the waste pipe DN110



Quantity (packing)	50 pcs
Quantity (pallet)	800 pcs
Material	polypropylene filled with talc

**AVZ-P002**

Drain lock AVZ102-R102



Quantity (packing)	1 pc
Quantity (pallet)	– pcs
Material	polypropylene filled with talc

**AVZ-P003**

Adapter for connecting side inlet DN50



Quantity (packing)	50 pcs
Quantity (pallet)	800 pcs
Material	polypropylene filled with talc

**AVZ-P004**

Water stopper to cover the inlet DN75



Quantity (packing)	50 pcs
Quantity (pallet)	800 pcs
Material	polypropylene filled with talc

**AVZ-P005**

Cover for mounting holes



Quantity (packing)	1 pc
Quantity (pallet)	– pcs
Material	polypropylene filled with talc

**AVZ-P006**

Grate fixation pins for drain channel AVZ102-R102



Quantity (packing)	2 pcs
Quantity (pallet)	– pcs
Material	polypropylene filled with talc

**AVZ-P007**

Odour trap for outdoor drains



Quantity (packing)	1 pc
Quantity (pallet)	– pcs
Material	polypropylene

**AVZ-P008**

Hook for removing the grid



Quantity (packing)	1 pc
Quantity (pallet)	pcs
Material	galvanized metal

**AVZ-P009**

End cap to close the drain channel



Quantity (packing)	100 pcs
Quantity (pallet)	1600 pcs
Material	polypropylene filled with talc

**AVZ-P010**

End cap with connection to the waste pipe DN110



Quantity (packing)	30 pcs
Quantity (pallet)	pcs
Material	polypropylene filled with talc

**AVZ-P012**

Basket for catching dirt large, stainless steel



Quantity (packing)	1 pc
Quantity (pallet)	24 pcs
Material	stainless steel

**AVZ-P013**

Basket for catching dirt large, galvanized steel



Quantity (packing)	1 pc
Quantity (pallet)	24 pcs
Material	galvanized metal

PRE-WALL INSTALLATION SYSTEMS

VALVES

WC SEATS

LINEAR DRAINS

INDUSTRIAL STAINLESS STEEL DRAINAGE SYSTEM

OUTDOOR DRAINAGE SYSTEM

FLOOR DRAINS

WASTES AND TRAPS

FLEXI PIPES

WC ACCESSORIES

**AGV1**

Rain drum 300×155/110 mm straight outlet, black



Quantity (packing)	5 pcs
Quantity (pallet)	80 pcs
Material	polypropylene enriched with glass fiber

**AGV1S**

Rain drum 300×155/110 mm straight outlet, grey



Quantity (packing)	5 pcs
Quantity (pallet)	80 pcs
Material	polypropylene enriched with glass fiber

**AGV2**

Rain drum 300×155/125 mm straight outlet, black



Quantity (packing)	5 pcs
Quantity (pallet)	80 pcs
Material	polypropylene enriched with glass fiber

**AGV2S**

Rain drum 300×155/125 mm straight outlet, grey



Quantity (packing)	5 pcs
Quantity (pallet)	80 pcs
Material	polypropylene enriched with glass fiber

**AGV3**

Rain drum 300×155/110 mm side outlet, black



Quantity (packing)	4 pcs
Quantity (pallet)	120 pcs
Material	polypropylene enriched with glass fiber

**AGV3S**

Rain drum 300×155/110 mm side outlet, grey



Quantity (packing)	4 pcs
Quantity (pallet)	120 pcs
Material	polypropylene enriched with glass fiber

**AGV4**

Rain drum 300×155/125/110 mm straight outlet, black



Quantity (packing)	4 pcs
Quantity (pallet)	60 pcs
Material	polypropylene enriched with glass fiber

**AGV4S**

Rain drum 300×155/125/110 mm straight outlet, grey



Quantity (packing)	4 pcs
Quantity (pallet)	60 pcs
Material	polypropylene enriched with glass fiber

**AGV911**

Universal downpipe entry cover – black



Quantity (packing)	1 pc
Quantity (pallet)	– pcs
Material	polypropylene enriched with glass fiber

### AGV911S

Universal downpipe entry cover – grey



Quantity (packing)	1 pc
Quantity (pallet)	– pcs
Material	polypropylene enriched with glass fiber

### AGV941

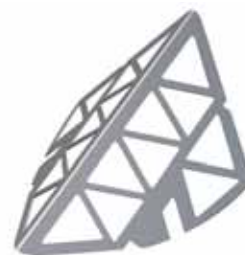
Stainless steel basket



Quantity (packing)	70 pcs
Quantity (pallet)	1120 pcs
Material	stainless steel

### AGV942

Stainless steel side grid



Quantity (packing)	100 pcs
Quantity (pallet)	2800 pcs
Material	stainless steel

#### LOCK

- The lock prevents unintentional opening of the lid, overflow of water during heavy rains
- Prevents the access of children at play
- If necessary, it is possible to remove the lock from the rain drum



#### BASKET FOR LEAVES AND DIRT

- Captures coarse material (mainly leaves) and prevents clogging of sewer pipes
- The narrow bottom with ribs allows a gradual fall through of rotting leaves into sewerage
- Basket can be easily removed for cleaning



#### INLET RINGS

- They are part of each package
- Diameters 80, 90, 100, 110, 125 mm
- They allow the connection of all types of roof gutters and downspouts



#### FLAP

- Frost-free odour trap – limits the transmission of gas from canalization
- Prevents the passage of rodents from the waste
- Closes under its own weight and is secured against flooding
- Restrict splashing water from the rain drum when removing the lock case



#### MATERIAL

- PP enriched with glass fiber
- Resistant to mechanical and thermal damage
- UV stable – resistant to plastic degradation and fading
- In black or grey colours



#### CONSTRUCTION

- Resistant to deformation during assembly and to the load (class K3 – bearing capacity of 300 kg)
- Ribbing ensures stability on the spot
- Steeper gradient of the rain drum body enables a faster and bigger water flow towards the sewer
- Flow rate 390 l/min.
- Diameter of 110 mm, 125 or 125/110 mm



# Floor drains

Stainless steel floor drains	102
Floor drains with design grids	103
Floor drains with stainless steel grids	103
Floor drains with plastic grids	105
Floor drains – parts	107
Insulating strips	108

**APV110**

Floor drain stainless steel extra-low 130x130 mm side outlet, without grid, wet odour trap



Quantity (packing)	1 pcs
Quantity (pallet)	- pcs
Material	stainless steel

**APV120**

Floor drain stainless steel low 130x130 mm side outlet, without grid, wet odour trap



Quantity (packing)	1 pcs
Quantity (pallet)	- pcs
Material	stainless steel

**APV130**

Floor drain stainless steel 130x130 mm side outlet, without grid, wet odour trap



Quantity (packing)	1 pcs
Quantity (pallet)	- pcs
Material	stainless steel

**MPV011**

Grid for stainless steel floor drains 102x102 mm stainless steel



Quantity (packing)	1 pcs
Quantity (pallet)	- pcs
Material	stainless steel

**MPV012**

Grid for stainless steel floor drains 102x102 mm stainless steel



Quantity (packing)	1 pcs
Quantity (pallet)	- pcs
Material	stainless steel

**MPV013**

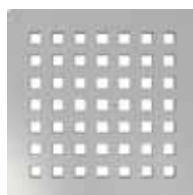
Grid for stainless steel floor drains 92x92 mm stainless steel



Quantity (packing)	1 pcs
Quantity (pallet)	- pcs
Material	stainless steel

**MPV014**

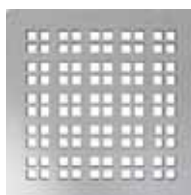
Grid for stainless steel floor drains 102x102 mm stainless steel



Quantity (packing)	1 pcs
Quantity (pallet)	- pcs
Material	stainless steel

**MPV015**

Grid for stainless steel floor drains 102x102 mm stainless steel



Quantity (packing)	1 pcs
Quantity (pallet)	- pcs
Material	stainless steel

**MPV016**

Grid for stainless steel floor drains 92x92 mm for embedding tiles



Quantity (packing)	1 pcs
Quantity (pallet)	- pcs
Material	stainless steel

### APV101

Floor drain 105x105/50 mm side outlet, stainless steel grid, wet odour trap



Quantity (packing)	8 pcs
Quantity (pallet)	160 pcs
Material	polypropylene resistant to mechanical, chemical and thermal damage

### APV102

Floor drain 105x105/50 mm side outlet, stainless steel grid, wet odour trap



Quantity (packing)	8 pcs
Quantity (pallet)	160 pcs
Material	polypropylene resistant to mechanical, chemical and thermal damage

### APV103

Floor drain 105x105/50 mm side outlet, stainless steel grid, wet odour trap



Quantity (packing)	8 pcs
Quantity (pallet)	160 pcs
Material	polypropylene resistant to mechanical, chemical and thermal damage

### APV201

Floor drain 105x105/50/75 mm straight outlet, stainless steel grid, wet odour trap



Quantity (packing)	8 pcs
Quantity (pallet)	160 pcs
Material	polypropylene resistant to mechanical, chemical and thermal damage

### APV202

Floor drain 105x105/50/75 mm straight outlet, stainless steel grid, wet odour trap



Quantity (packing)	8 pcs
Quantity (pallet)	160 pcs
Material	polypropylene resistant to mechanical, chemical and thermal damage

### APV203

Floor drain 105x105/50/75 mm straight outlet, stainless steel grid, wet odour trap



Quantity (packing)	8 pcs
Quantity (pallet)	160 pcs
Material	polypropylene resistant to mechanical, chemical and thermal damage

### APV3344

Floor drain 105x105/50/75 mm side outlet, stainless steel grid, stainless steel flange and collar-2nd level insulation, wet and dry odour trap



Quantity (packing)	8 pcs
Quantity (pallet)	128 pcs
Material	polypropylene resistant to mechanical, chemical and thermal damage

### APV4344

Floor drain 105x105/50/75 mm straight outlet, stainless steel grid, stainless steel flange and collar-2nd level insulation, wet and dry odour trap



Quantity (packing)	8 pcs
Quantity (pallet)	160 pcs
Material	polypropylene resistant to mechanical, chemical and thermal damage

### APV3444

Floor drain 150x150/50/75 mm side outlet, stainless steel grid, stainless steel flange and collar-2nd level insulation, wet and dry odour trap



Quantity (packing)	8 pcs
Quantity (pallet)	128 pcs
Material	polypropylene resistant to mechanical, chemical and thermal damage

### APV4444

Floor drain 150x150/50/75 mm straight outlet, stainless steel grid, stainless steel flange and collar-2nd level insulation, wet and dry odour trap



Quantity (packing)	8 pcs
Quantity (pallet)	160 pcs
Material	polypropylene resistant to mechanical, chemical and thermal damage

### APV26C

Floor drain 105x105/50 mm side outlet, stainless steel grid, collar-2nd level insulation, dry odour trap



Quantity (packing)	8 pcs
Quantity (pallet)	160 pcs
Material	ABS, polypropylene resistant to mechanical, chemical and thermal damage

### APV26

Floor drain 105x105/50 mm side outlet, stainless steel grid, wet odour trap



Quantity (packing)	25 pcs
Quantity (pallet)	400 pcs
Material	ABS, polypropylene resistant to mechanical, chemical and thermal damage

### APV1324

Floor drain 105x105/50 mm side outlet, stainless steel grid, stainless steel flange and collar-2nd level insulation, combined odour trap SMART



Quantity (packing)	8 pcs
Quantity (pallet)	128 pcs
Material	polypropylene resistant to mechanical, chemical and thermal damage

### APV2324

Floor drain 105x105/50/75 mm straight outlet, stainless steel grid, stainless steel flange and collar-2nd level insulation, combined odour trap SMART



Quantity (packing)	8 pcs
Quantity (pallet)	160 pcs
Material	polypropylene resistant to mechanical, chemical and thermal damage

### APV1321

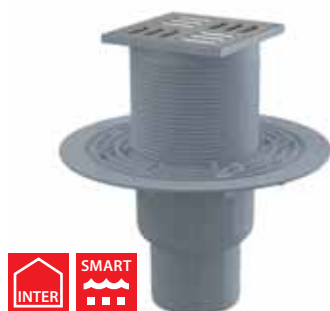
Floor drain 105x105/50 mm side outlet, stainless steel grid, combined odour trap SMART



Quantity (packing)	8 pcs
Quantity (pallet)	160 pcs
Material	polypropylene resistant to mechanical, chemical and thermal damage

### APV2321

Floor drain 105x105/50/75 mm straight outlet, stainless steel grid, combined odour trap SMART



Quantity (packing)	8 pcs
Quantity (pallet)	160 pcs
Material	polypropylene resistant to mechanical, chemical and thermal damage

### APV1311

Floor drain 105x105/50 mm side outlet, stainless steel grid, wet odour trap



Quantity (packing)	8 pcs
Quantity (pallet)	160 pcs
Material	polypropylene resistant to mechanical, chemical and thermal damage

### APV2311

Floor drain 105x105/50/75 mm straight outlet, stainless steel grid, wet odour trap



Quantity (packing)	8 pcs
Quantity (pallet)	160 pcs
Material	polypropylene resistant to mechanical, chemical and thermal damage



### APV31

Floor drain 105x105/50 mm side outlet, stainless steel grid, combined odour trap SMART



Quantity (packing)	20 pcs
Quantity (pallet)	320 pcs
Material	ABS, polypropylene resistant to mechanical, chemical and thermal damage

### APV32

Floor drain 105x105/50 mm straight outlet, stainless steel grid, combined odour trap SMART



Quantity (packing)	20 pcs
Quantity (pallet)	320 pcs
Material	ABS, polypropylene resistant to mechanical, chemical and thermal damage

### APV1

Floor drain 105x105/50 mm side outlet, stainless steel grid, wet odour trap



Quantity (packing)	20 pcs
Quantity (pallet)	320 pcs
Material	ABS, polypropylene resistant to mechanical, chemical and thermal damage

### APV2

Floor drain 105x105/50 mm straight outlet, stainless steel grid, wet odour trap



Quantity (packing)	20 pcs
Quantity (pallet)	320 pcs
Material	ABS, polypropylene resistant to mechanical, chemical and thermal damage

### APV5411

Floor drain 150x150/50 mm side outlet, stainless steel grid, wet odour trap



Quantity (packing)	15 pcs
Quantity (pallet)	240 pcs
Material	ABS, polypropylene resistant to mechanical, chemical and thermal damage

### APV6411

Floor drain 150x150/50 mm straight outlet, stainless steel grid, wet odour trap



Quantity (packing)	15 pcs
Quantity (pallet)	240 pcs
Material	ABS, polypropylene resistant to mechanical, chemical and thermal damage

### APV12

Floor drain 150x150/110 mm side outlet, stainless steel grid, collar-2nd level insulation, wet odour trap



Quantity (packing)	8 pcs
Quantity (pallet)	160 pcs
Material	polypropylene resistant to mechanical, chemical and thermal damage

### APV13

Floor drain 150x150/110 mm straight outlet, stainless steel grid, collar-2nd level insulation, wet odour trap



Quantity (packing)	8 pcs
Quantity (pallet)	160 pcs
Material	polypropylene resistant to mechanical, chemical and thermal damage

### APV10

Floor drain 150x150/110 mm side outlet, grey grid, collar-2nd level insulation, wet odour trap



Quantity (packing)	8 pcs
Quantity (pallet)	160 pcs
Material	polypropylene resistant to mechanical, chemical and thermal damage

PRE-WALL INSTALLATION SYSTEMS

VALVES

WC SEATS

LINEAR DRAINS

INDUSTRIAL STAINLESS STEEL DRAINAGE SYSTEM

OUTDOOR DRAINAGE SYSTEM

FLOOR DRAINS

WASTES AND TRAPS

FLEXI PIPES

WC ACCESSORIES

### APV11

Floor drain 150x150/110 mm straight outlet, grey grid, collar-2nd level insulation, wet odour trap



Quantity (packing)	8 pcs
Quantity (pallet)	160 pcs
Material	polypropylene resistant to mechanical, chemical and thermal damage

### APV5111

Floor drain 105x105/50 mm side outlet, grey grid, wet odour trap



Quantity (packing)	20 pcs
Quantity (pallet)	320 pcs
Material	ABS, polypropylene resistant to mechanical, chemical and thermal damage

### APV6111

Floor drain 105x105/50 mm straight outlet, grey grid, wet odour trap



Quantity (packing)	20 pcs
Quantity (pallet)	320 pcs
Material	ABS, polypropylene resistant to mechanical, chemical and thermal damage

### APV5211

Floor drain 150x150/50 mm side outlet, grey grid, wet odour trap



Quantity (packing)	15 pcs
Quantity (pallet)	240 pcs
Material	ABS, polypropylene resistant to mechanical, chemical and thermal damage

### APV6211

Floor drain 150x150/50 mm straight outlet, grey grid, wet odour trap



Quantity (packing)	15 pcs
Quantity (pallet)	240 pcs
Material	ABS, polypropylene resistant to mechanical, chemical and thermal damage

### APV3

Floor drain 150x150/50 mm side outlet, grey grid, wet odour trap



Quantity (packing)	50 pcs
Quantity (pallet)	600 pcs
Material	polypropylene resistant to mechanical, chemical and thermal damage

### APV4

Floor drain 150x150/50 mm straight outlet, grey grid, wet odour trap



Quantity (packing)	50 pcs
Quantity (pallet)	600 pcs
Material	polypropylene resistant to mechanical, chemical and thermal damage

### APV15

Floor drain 150x150/50 mm side outlet, white grid, wet odour trap



Quantity (packing)	20 pcs
Quantity (pallet)	320 pcs
Material	ABS

### APV16

Floor drain 150x150/50 mm straight outlet, white grid, wet odour trap



Quantity (packing)	20 pcs
Quantity (pallet)	320 pcs
Material	ABS

**APV0006**

Stainless steel flange seal



Quantity (packing) \_\_\_\_\_ -  
 Quantity (pallet) \_\_\_\_\_ -  
 Material rubber (NBR)

**MPV001**

Design grid 102x102 mm stainless steel



Quantity (packing) \_\_\_\_\_ -  
 Quantity (pallet) \_\_\_\_\_ -  
 Material stainless steel

**MPV001-ANTIC**

Design grid 102x102 mm bronze-antic



Quantity (packing) \_\_\_\_\_ -  
 Quantity (pallet) \_\_\_\_\_ -  
 Material brass with bronze-antic finish

**MPV002**

Design grid 102x102 mm stainless steel



Quantity (packing) \_\_\_\_\_ -  
 Quantity (pallet) \_\_\_\_\_ -  
 Material stainless steel

**MPV003**

Design grid 102x102 mm stainless steel



Quantity (packing) \_\_\_\_\_ -  
 Quantity (pallet) \_\_\_\_\_ -  
 Material stainless steel

**MPV004**

Grid 102x102 mm stainless steel



Quantity (packing) \_\_\_\_\_ -  
 Quantity (pallet) \_\_\_\_\_ -  
 Material stainless steel

**APV0010**

Wet odour trap



Quantity (packing) 50 pcs  
 Quantity (pallet) 1400 pcs  
 Material polypropylene resistant to mechanical, chemical and thermal damage

**APV0020**

Combined odour trap SMART



Quantity (packing) 50 pcs  
 Quantity (pallet) 1400 pcs  
 Material polypropylene resistant to mechanical, chemical and thermal damage

**APV0030**

Dry odour trap



Quantity (packing) 60 pcs  
 Quantity (pallet) 1680 pcs  
 Material polypropylene resistant to mechanical, chemical and thermal damage

PRE-WALL INSTALLATION SYSTEMS

VALVES

WC SEATS

LINEAR DRAINS

INDUSTRIAL STAINLESS STEEL DRAINAGE SYSTEM

OUTDOOR DRAINAGE SYSTEM

FLOOR DRAINS

WASTES AND TRAPS

FLEXI PIPES

WC ACCESSORIES

### APV0050

Wet odour trap for APV26, APV26C



REDUCED HEIGHT



Quantity (packing)	50 pcs
Quantity (pallet)	1400 pcs
Material	polypropylene resistant to mechanical, chemical and thermal damage

### APV0060

Dry odour trap for APV26, APV26C



REDUCED HEIGHT



Quantity (packing)	50 pcs
Quantity (pallet)	1400 pcs
Material	polypropylene resistant to mechanical, chemical and thermal damage

### APV0800

Drain throat extension neck DN105



Quantity (packing)	-
Quantity (pallet)	-
Material	polypropylene resistant to mechanical, chemical and thermal damage

### AIZ1

Self-adhesive waterproof membrane for a floor drain 300x300 mm



Quantity (packing)	50 pcs
Quantity (pallet)	1400 pcs

### AIZ3

Waterproof membrane 1300x1300 mm



Quantity (packing)	10 pcs
Quantity (pallet)	160 pcs

WC ACCESSORIES

FLEXI PIPES

WASTES AND TRAPS

**FLOOR DRAINS**

OUTDOOR DRAINAGE SYSTEM

INDUSTRIAL STAINLESS STEEL DRAINAGE SYSTEM

LINEAR DRAINS

WC SEATS

VALVES

PRE-WALL INSTALLATION SYSTEMS



# Wastes and traps

Bath wastes and traps	112
Bath waste and traps Basic	112
Bath waste and traps pop-up	112
Bath waste and traps CLICK/CLACK	113
Bath waste and traps with overflow filler	114
Bath waste and traps for whirlpool bathtubs	115
Bath waste and traps – accessories	115
Shower wastes and traps	116
Shower wastes and traps CLICK/CLACK	116
Shower wastes and traps DN50–DN60	117
Shower wastes and traps DN90	117
Reduced height shower tray wastes and traps	118
Wash-basin wastes and traps	119
Wash-basin wastes and traps with outlet	119
Wash-basin wastes and traps with coupling nut	120
Wash-basin wastes and traps – outlets	121
Metal products range	121
Wash-basin wastes and traps – CLICK/CLACK outlets	121
Angle valves	123
Wash-basin wastes and traps	123
Sink wastes and traps	125
Sink wastes and traps with outlet	125
Sink wastes and traps with coupling nut	127
Sink wastes and traps – outlets	129
Wash-basin and sink wastes and traps – accessories	129
Urinal and bidet traps	133
Traps for dripping condensation	134
Washing machine traps	135

**A501**

Bath waste and trap, chrome



Quantity (packing)	20 pcs
Quantity (pallet)	320 pcs
Material – plug/grid	PVC/plastic

**A502**

Bath waste and trap, white



Quantity (packing)	20 pcs
Quantity (pallet)	320 pcs
Material – plug/grid	PVC/plastic

**A51B**

Bath pop-up waste and trap, white



Quantity (packing)	20 pcs
Quantity (pallet)	320 pcs
Material – plug/control knob	metal/plastic

**A51BM**

Bath pop-up waste and trap, white



Quantity (packing)	20 pcs
Quantity (pallet)	320 pcs
Material – plug/control knob	plastic/plastic

**A51CR**

Bath pop-up waste and trap, chrome



Quantity (packing)	20 pcs
Quantity (pallet)	320 pcs
Material – plug/control knob	metal/plastic

**A51CRM**

Bath pop-up waste and trap, chrome



Quantity (packing)	20 pcs
Quantity (pallet)	320 pcs
Material – plug/control knob	plastic/plastic

**A55K**

Bath pop-up waste and trap, metal



Quantity (packing)	20 pcs
Quantity (pallet)	320 pcs
Material – plug/control knob	metal/metal

**A55ANTIC**

Bath pop-up waste and trap, bronze-antic



Quantity (packing)	20 pcs
Quantity (pallet)	320 pcs
Material – plug/control knob	metal/metal

**A55BLACK**

Bath pop-up waste and trap, black-matt



Quantity (packing)	20 pcs
Quantity (pallet)	320 pcs
Material – plug/control knob	metal/metal





### A55KM

Bath pop-up waste and trap, metal



Quantity (packing)	20 pcs
Quantity (pallet)	320 pcs
Material – plug/control knob	plastic/metal

### A550K

Bath pop-up waste and trap, metal



Quantity (packing)	12 pcs
Quantity (pallet)	192 pcs
Material – plug/control knob	metal/metal

### A550KM

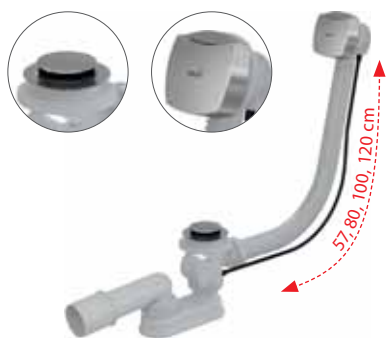
Bath pop-up waste and trap, metal



Quantity (packing)	12 pcs
Quantity (pallet)	192 pcs
Material – plug/control knob	plastic/metal

### A553K

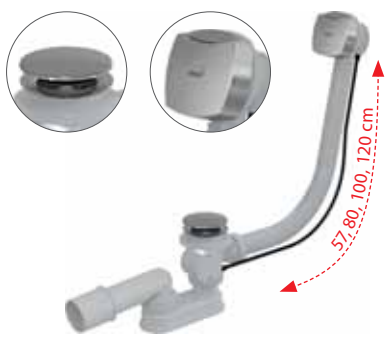
Bath pop-up waste and trap, metal



Quantity (packing)	20 pcs
Quantity (pallet)	320 pcs
Material – plug/control knob	metal/metal

### A553KM1

Bath pop-up waste and trap, metal



Quantity (packing)	20 pcs
Quantity (pallet)	320 pcs
Material – plug/control knob	plastic/metal

### A504KM

Bath CLICK/CLACK waste and trap, metal



Quantity (packing)	20 pcs
Quantity (pallet)	320 pcs
Material – plug/control knob	metal/metal

### A507KM

Bath CLICK/CLACK waste and trap, metal



Quantity (packing)	20 pcs
Quantity (pallet)	320 pcs
Material – plug/control knob	metal/metal

### A507BLACK

Bath CLICK/CLACK waste and trap, black-matt



Quantity (packing)	20 pcs
Quantity (pallet)	320 pcs
Material – plug/control knob	metal/metal

### A505CRM

Bath CLICK/CLACK waste and trap, chrome



Quantity (packing)	20 pcs
Quantity (pallet)	320 pcs
Material – plug/grid	plastic/plastic

PRE-WALL INSTALLATION SYSTEMS

VALVES

WC SEATS

LINEAR DRAINS

INDUSTRIAL STAINLESS STEEL DRAINAGE SYSTEM

OUTDOOR DRAINAGE SYSTEM

FLOOR DRAINS

WASTES AND TRAPS

FLEXI PIPES

WC ACCESSORIES

**A505KM**

Bath CLICK/CLACK waste and trap, metal



Quantity (packing)	20 pcs
Quantity (pallet)	320 pcs
Material – plug/grid	metal/plastic

**A508KM**

Bath CLICK/CLACK waste and trap, overflow filler, chrome



Quantity (packing)	12 pcs
Quantity (pallet)	192 pcs
Material – plug/control knob	metal/plastic

**A509KM**

Bath CLICK/CLACK waste and trap, overflow filler, for thick-walled bathtubs, chrome



Quantity (packing)	12 pcs
Quantity (pallet)	192 pcs
Material – plug/control knob	metal/plastic

**A564CRM1**

Bath pop-up waste and trap, with overflow filler, chrome



Quantity (packing)	12 pcs
Quantity (pallet)	192 pcs
Material – plug/control knob	plastic/plastic

**A564CRM2**

Bath pop-up waste and trap, with overflow filler, chrome



Quantity (packing)	12 pcs
Quantity (pallet)	192 pcs
Material – plug/control knob	plastic/plastic

**A564CRM3**

Bath pop-up waste and trap, with overflow filler, chrome



Quantity (packing)	12 pcs
Quantity (pallet)	192 pcs
Material – plug/control knob	plastic/plastic

**A564KM1**

Bath pop-up waste and trap, with overflow filler, metal



Quantity (packing)	12 pcs
Quantity (pallet)	192 pcs
Material – plug/control knob	metal/metal

**A564KM3**

Bath pop-up waste and trap, with overflow filler, metal



Quantity (packing)	12 pcs
Quantity (pallet)	192 pcs
Material – plug/control knob	metal/metal

**A565CRM1**

Bath pop-up waste and trap, with overflow filler, for thick-walled bathtubs, chrome



Quantity (packing)	12 pcs
Quantity (pallet)	192 pcs
Material – plug/control knob	plastic/plastic

### A565CRM2

Bath pop-up waste and trap, with overflow filler, for thick-walled bathtubs, chrome



Quantity (packing)	12 pcs
Quantity (pallet)	192 pcs
Material – plug/control knob	plastic/plastic

### A565CRM3

Bath pop-up waste and trap, with overflow filler, for thick-walled bathtubs, chrome



Quantity (packing)	12 pcs
Quantity (pallet)	192 pcs
Material – plug/control knob	plastic/plastic

### A565KM1

Bath pop-up waste and trap, with overflow filler, for thick-walled bathtubs, metal



Quantity (packing)	12 pcs
Quantity (pallet)	192 pcs
Material – plug/control knob	metal/metal

### A565KM3

Bath pop-up waste and trap, with overflow filler, for thick-walled bathtubs, metal



Quantity (packing)	12 pcs
Quantity (pallet)	192 pcs
Material – plug/control knob	metal/metal

### A566-112122-57

Bath waste and trap for whirlpool bathtubs, chrome



Quantity (packing)	12 pcs
Quantity (pallet)	192 pcs
Material – plug/control knob	plastic/plastic

### A566-273133-57

Bath waste and trap for whirlpool bathtubs with overflow filler, metal



Quantity (packing)	12 pcs
Quantity (pallet)	192 pcs
Material – plug/control knob	metal/metal

### A53-DN40

Odour trap



Quantity (packing)	75 pcs
Quantity (pallet)	1200 pcs
Material	polypropylene

### A53-DN50

Odour trap



Quantity (packing)	75 pcs
Quantity (pallet)	1200 pcs
Material	polypropylene

### A53-6/4"

Odour trap



Quantity (packing)	75 pcs
Quantity (pallet)	1200 pcs
Material	polypropylene

**A53-7/4"**

Odour trap



Quantity (packing)	75 pcs
Quantity (pallet)	1200 pcs
Material	polypropylene

**A531**

Odour trap lowered



REDUCED HEIGHT

Quantity (packing)	75 pcs
Quantity (pallet)	1200 pcs
Material	polypropylene

**A532-DN50**

Odour trap lowered



REDUCED HEIGHT

Quantity (packing)	75 pcs
Quantity (pallet)	1200 pcs
Material	polypropylene

**A533-DN50**

Odour trap



Quantity (packing)	75 pcs
Quantity (pallet)	1200 pcs
Material	polypropylene

**A503KM**

Shower waste and trap CLICK/CLACK, metal



Quantity (packing)	25 pcs
Quantity (pallet)	400 pcs
Material – plug/grid	metal/plastic

**A506KM**

Shower waste and trap CLICK/CLACK, metal



REDUCED HEIGHT

Quantity (packing)	25 pcs
Quantity (pallet)	400 pcs
Material – plug/grid	metal/plastic

**A461-50**

Shower waste and trap



Quantity (packing)	50 pcs
Quantity (pallet)	800 pcs
Material	polypropylene

**A462-50**

Shower waste and trap, with overflow pipe and elbow



Quantity (packing)	35 pcs
Quantity (pallet)	560 pcs
Material	polypropylene

**A52**

Elbow 45°



Quantity (packing)	75 pcs
Quantity (pallet)	2100 pcs
Material	ABS

**A465-50**

Shower waste and trap CLICK/CLACK, metal



Ø50

Quantity (packing)	30 pcs
Quantity (pallet)	840 pcs
Material – trap body/plug	polypropylene/metal

**A466-50**

Shower waste and trap CLICK/CLACK, chrome



Ø50

Quantity (packing)	30 pcs
Quantity (pallet)	840 pcs
Material – trap body/plug	polypropylene/plastic

**A46-50**

Shower waste and trap with stainless steel grid



Ø50

Quantity (packing)	30 pcs
Quantity (pallet)	840 pcs
Material – trap body/cover	polypropylene/metal

**A46-60**

Shower waste and trap with stainless steel grid



Ø60

Quantity (packing)	30 pcs
Quantity (pallet)	840 pcs
Material – trap body/cover	polypropylene/metal

**A47B-50**

Shower waste and trap, white



Ø50

Quantity (packing)	30 pcs
Quantity (pallet)	840 pcs
Material – trap body/cover	polypropylene/plastic

**A47B-60**

Shower waste and trap, white



Ø60

Quantity (packing)	30 pcs
Quantity (pallet)	840 pcs
Material – trap body/cover	polypropylene/plastic

**A47CR-50**

Shower waste and trap, chrome



Ø50

Quantity (packing)	30 pcs
Quantity (pallet)	840 pcs
Material – trap body/cover	polypropylene/plastic

**A47CR-60**

Shower waste and trap, chrome



Ø60

Quantity (packing)	30 pcs
Quantity (pallet)	840 pcs
Material – trap body/cover	polypropylene/plastic

**A48**

Shower waste and trap with stainless steel grid



Ø90

Quantity (packing)	24 pcs
Quantity (pallet)	672 pcs
Material – trap body/cover	polypropylene/metal

**A49B**

Shower waste and trap, white



Ø90

Quantity (packing)	24 pcs
Quantity (pallet)	672 pcs
Material – trap body/cover	polypropylene/plastic

**A49CR**

Shower waste and trap, chrome



Ø90

Quantity (packing)	24 pcs
Quantity (pallet)	672 pcs
Material – trap body/cover	polypropylene/plastic

**A49K**

Shower waste and trap, metal LUX



Ø90

Quantity (packing)	24 pcs
Quantity (pallet)	672 pcs
Material – trap body/cover	polypropylene/metal

**A49K MAT**

Shower waste and trap, metal LUX



Ø90

Quantity (packing)	24 pcs
Quantity (pallet)	672 pcs
Material – trap body/cover	polypropylene/metal

**A49ANTIC**

Shower waste and trap, bronze-antic



Ø90

Quantity (packing)	24 pcs
Quantity (pallet)	672 pcs
Material – trap body/cover	polypropylene/metal

**A476-50**

Shower waste set CLICK/CLACK, chrome



Ø50

Quantity (packing)	30 pcs
Quantity (pallet)	840 pcs
Material – trap body/plug	polypropylene/plastic

**A471CR-50**

Shower waste set, chrome



REDUCED HEIGHT

Ø50

Quantity (packing)	25 pcs
Quantity (pallet)	700 pcs
Material – trap body/cover	polypropylene/plastic

**A471CR-60**

Shower waste set, chrome



REDUCED HEIGHT

Ø60

Quantity (packing)	25 pcs
Quantity (pallet)	700 pcs
Material – trap body/cover	polypropylene/plastic

**A491CR**

Shower waste set, chrome



REDUCED HEIGHT

Ø90

Quantity (packing)	15 pcs
Quantity (pallet)	420 pcs
Material – trap body/cover	polypropylene/plastic

### A492CR

Shower waste set for thick trays, chrome



REDUCED HEIGHT

Ø90

Quantity (packing)	15 pcs
Quantity (pallet)	420 pcs
Material – trap body/cover	polypropylene/plastic

### A41

Wash-basin waste and trap DN40 with stainless steel grid DN63

### A410

Wash-basin waste and trap DN32 with stainless steel grid DN63



Quantity (packing)	25 pcs
Quantity (pallet)	700 pcs
Material	polypropylene

### A42

Wash-basin waste and trap DN40 with plastic grid DN63

### A420

Wash-basin waste and trap DN32 with plastic grid DN63



Quantity (packing)	25 pcs
Quantity (pallet)	700 pcs
Material	polypropylene

### A411

Wash-basin waste and trap DN32 with stainless steel grid DN63



Quantity (packing)	25 pcs
Quantity (pallet)	700 pcs
Material	polypropylene

### A412-DN40

Wash-basin waste and trap "S" DN40 with stainless steel grid DN63



Quantity (packing)	25 pcs
Quantity (pallet)	700 pcs
Material	polypropylene

### A421

Wash-basin waste and trap DN32 with plastic grid DN63



Quantity (packing)	25 pcs
Quantity (pallet)	700 pcs
Material	polypropylene

### A41P

Wash-basin waste and trap DN40 with connector and stainless steel grid DN63

### A410P

Wash-basin waste and trap DN32 with connector and stainless steel grid DN63



Quantity (packing)	20 pcs
Quantity (pallet)	560 pcs
Material	polypropylene

### A42P

Wash-basin waste and trap DN40 with connector and plastic grid DN63

### A420P

Wash-basin waste and trap DN32 with connector and plastic grid DN63



Quantity (packing)	20 pcs
Quantity (pallet)	560 pcs
Material	polypropylene

### A413

Space saving wash-basin trap DN63



Quantity (packing)	15 pcs
Quantity (pallet)	420 pcs
Material	polypropylene

PRE-WALL INSTALLATION SYSTEMS

VALVES

WC SEATS

LINEAR DRAINS

INDUSTRIAL STAINLESS STEEL DRAINAGE SYSTEM

OUTDOOR DRAINAGE SYSTEM

FLOOR DRAINS

WASTES AND TRAPS

FLEXI PIPES

WC ACCESSORIES

**A41R**

Wash-basin waste and trap DN40 with stainless steel grid DN63, chain



Quantity (packing)	25 pcs
Quantity (pallet)	700 pcs
Material	polypropylene

**A42R**

Wash-basin waste and trap DN40 with plastic grid DN63, chain



Quantity (packing)	25 pcs
Quantity (pallet)	700 pcs
Material	polypropylene

**A41PR**

Wash-basin waste and trap DN40 with connector and stainless steel grid DN63, chain



Quantity (packing)	20 pcs
Quantity (pallet)	560 pcs
Material	polypropylene

**A45F-DN40**

Wash-basin and bidet trap DN40 plastic



Quantity (packing)	25 pcs
Quantity (pallet)	700 pcs
Material	polypropylene

**A43**

Wash-basin trap DN40 with coupling nut 5/4"



Quantity (packing)	25 pcs
Quantity (pallet)	700 pcs
Material	polypropylene

**A43P**

Wash-basin trap DN40 with connector and coupling nut 5/4"



Quantity (packing)	25 pcs
Quantity (pallet)	700 pcs
Material	polypropylene

**A45F-DN32**

Wash-basin and bidet trap DN32 plastic

**A430**

Wash-basin trap DN32 with coupling nut 5/4"

**A430P**

Wash-basin trap DN40 with connector and coupling nut 5/4"

**A434**

Space-saving wash-basin trap with coupling nut 5/4"



Quantity (packing)	10 pcs
Quantity (pallet)	280 pcs
Material	polypropylene

**P066**

Set of spare seals for wash-basin traps



Quantity (packing)	-
Quantity (pallet)	-
Material	rubber



### A31

Wash-basin waste 5/4" with stainless steel grid DN63



Quantity (packing)	100 pcs
Quantity (pallet)	2800 pcs
Material	polypropylene

### A32

Wash-basin waste 5/4" with plastic grid DN63



Quantity (packing)	100 pcs
Quantity (pallet)	2800 pcs
Material	polypropylene

### A31P

Wash-basin waste 6/4" with stainless steel grid DN63 and connector



Quantity (packing)	75 pcs
Quantity (pallet)	2100 pcs
Material	polypropylene

### A439

Wash-basin waste 5/4", metal



Quantity (packing)	45 pcs
Quantity (pallet)	1260 pcs
Material	stainless steel

### A391

Wash-basin CLICK/CLACK waste 5/4", metal with overflow, small plug



Quantity (packing)	40 pcs
Quantity (pallet)	1280 pcs
Material	chrome-plated brass

### A392

Wash-basin CLICK/CLACK waste 5/4", metal with overflow, big plug



Quantity (packing)	30 pcs
Quantity (pallet)	840 pcs
Material	chrome-plated brass

### A392B

Wash-basin CLICK/CLACK waste 5/4" metal with overflow, big white plug



Quantity (packing)	30 pcs
Quantity (pallet)	840 pcs
Material	chrome-plated brass

### A392ANTIC

Wash-basin CLICK/CLACK waste 5/4" metal with overflow, big plug, bronze-antic



Quantity (packing)	30 pcs
Quantity (pallet)	840 pcs
Material	brass with bronze-antic finish

### A392BLACK

Wash-basin CLICK/CLACK waste 5/4", metal with overflow, big black plug



Quantity (packing)	30 pcs
Quantity (pallet)	840 pcs
Material	chrome-plated brass with black-matt finish

PRE-WALL INSTALLATION SYSTEMS

VALVES

WC SEATS

LINEAR DRAINS

INDUSTRIAL STAINLESS STEEL DRAINAGE SYSTEM

OUTDOOR DRAINAGE SYSTEM

FLOOR DRAINS

WASTES AND TRAPS

FLEXI PIPES

WC ACCESSORIES



**A393**

Wash-basin CLICK/CLACK waste 5/4", metal with overflow, square plug



Quantity (packing)	30 pcs
Quantity (pallet)	840 pcs
Material	chrome-plated brass

**A394**

Wash-basin CLICK/CLACK waste 5/4", metal without overflow, small plug, for plastic and glass wash-basins



Quantity (packing)	40 pcs
Quantity (pallet)	1120 pcs
Material	chrome-plated brass

**A395**

Wash-basin CLICK/CLACK waste 5/4", metal without overflow, big plug, for plastic and glass wash-basins



Quantity (packing)	30 pcs
Quantity (pallet)	840 pcs
Material	chrome-plated brass

**A395B**

Wash-basin CLICK/CLACK waste 5/4", metal without overflow, big white plug, for plastic and glass wash-basins



Quantity (packing)	30 pcs
Quantity (pallet)	840 pcs
Material	chrome-plated brass

**A39**

Wash-basin CLICK/CLACK waste 5/4", metal with overflow, small plug



Quantity (packing)	40 pcs
Quantity (pallet)	1120 pcs
Material	chrome-plated brass

**A390**

Wash-basin CLICK/CLACK waste 5/4", metal with overflow, big plug



Quantity (packing)	40 pcs
Quantity (pallet)	1120 pcs
Material	chrome-plated brass

**A396**

Wash-basin waste 5/4", metal, big plug, for wash-basins without overflow



Quantity (packing)	30 pcs
Quantity (pallet)	840 pcs
Material	chrome-plated brass

**A328B**

Wash-basin overflow, white



Quantity (packing)	50 pcs
Quantity (pallet)	800 pcs
Material – body/cap	polypropylene/plastic

**A328CR**

Wash-basin overflow, chrome



Quantity (packing)	50 pcs
Quantity (pallet)	800 pcs
Material – body/cap	polypropylene/ chrome-plated plastic

**ARV001**

Angle valve with a filter 1/2"×3/8", round



Quantity (packing)	60 pcs
Quantity (pallet)	1680 pcs
Material	chrome-plated metal

**ARV001-ANTIC**

Angle valve with a filter 1/2"×3/8", bronze-antic



Quantity (packing)	60 pcs
Quantity (pallet)	1680 pcs
Material	metal with bronze-antic finish

**ARV001-BLACK**

Angle valve with a filter 1/2"×3/8", black-matt



Quantity (packing)	60 pcs
Quantity (pallet)	1680 pcs
Material	chrome-plated metal with black-matt finish

**ARV002**

Angle valve 1/2"×3/8", square



Quantity (packing)	72 pcs
Quantity (pallet)	2016 pcs
Material	chrome-plated metal

**A400**

Wash-basin trap DN32 DESIGN metal, round



Quantity (packing)	12 pcs
Quantity (pallet)	336 pcs
Material	chrome-plated brass

**A400ANTIC**

Wash-basin trap DESIGN DN32, bronze-antic



Quantity (packing)	12 pcs
Quantity (pallet)	336 pcs
Material	brass with bronze-antic finish

**A400BLACK**

Wash-basin trap DESIGN DN32, black-matt



Quantity (packing)	12 pcs
Quantity (pallet)	336 pcs
Material	chrome-plated brass with black-matt finish

**A401**

Wash-basin trap DN32 DESIGN metal, square



Quantity (packing)	12 pcs
Quantity (pallet)	336 pcs
Material	chrome-plated brass

**A402**

Wash-basin trap DESIGN, metal DN32, massive



Quantity (packing)	7 pcs
Quantity (pallet)	252 pcs
Material	chrome-plated brass

**A403**

Wash-basin trap DESIGN, metal DN32, space saving



Quantity (packing)	10 pcs
Quantity (pallet)	160 pcs
Material	chrome-plated brass

**A431**

Wash-basin trap DN32 with coupling nut 5/4", metal



Quantity (packing)	20 pcs
Quantity (pallet)	560 pcs
Material	chrome-plated brass

**A437**

Wash-basin trap, metal DN32, with metal waste 5/4"



Quantity (packing)	20 pcs
Quantity (pallet)	560 pcs
Material	chrome-plated brass

**A432**

Wash-basin trap "U" DN32, with coupling nut 5/4", metal



Quantity (packing)	25 pcs
Quantity (pallet)	700 pcs
Material	chrome-plated brass

**A4320**

Wash-basin trap "U" DN32, with coupling nut 5/4", metal



Quantity (packing)	20 pcs
Quantity (pallet)	560 pcs
Material	chrome-plated brass

**A4320BLACK**

Wash-basin trap "U" DN32, with coupling nut 5/4", black-matt



Quantity (packing)	20 pcs
Quantity (pallet)	560 pcs
Material	chrome-plated brass with black-matt finish

**A438**

Metal elbow DN32, 5/4" nut



Quantity (packing)	15 pcs
Quantity (pallet)	420 pcs
Material	chrome-plated metal

**A4000**

Extension piece DN32



Quantity (packing)	50 pcs
Quantity (pallet)	1400 pcs
Material	chrome-plated brass

### A441-DN50/40

Sink waste and trap with stainless steel grid DN70



Quantity (packing)	25 pcs
Quantity (pallet)	700 pcs
Material	polypropylene

### A441P-DN50/40

Sink waste and trap with stainless steel grid DN70 and connector



Quantity (packing)	20 pcs
Quantity (pallet)	560 pcs
Material	polypropylene

### A442-DN50/40

Sink waste and trap with plastic grid DN70



Quantity (packing)	25 pcs
Quantity (pallet)	700 pcs
Material	polypropylene

### A442P-DN50/40

Sink waste and trap with plastic grid DN70 and connector



Quantity (packing)	20 pcs
Quantity (pallet)	560 pcs
Material	polypropylene

### A444-DN50/40

Sink waste and trap with stainless steel grid DN70 and flexi overflow



Quantity (packing)	15 pcs
Quantity (pallet)	420 pcs
Material	polypropylene

### A444P-DN50/40

Sink waste and trap with stainless steel grid DN70, flexi overflow and connector



Quantity (packing)	15 pcs
Quantity (pallet)	420 pcs
Material	polypropylene

### A446-DN50/40

Sink waste and trap with stainless steel grid DN115



Quantity (packing)	15 pcs
Quantity (pallet)	420 pcs
Material	polypropylene

### A446P-DN50/40

Sink waste and trap with stainless steel grid DN115 and connector



Quantity (packing)	15 pcs
Quantity (pallet)	420 pcs
Material	polypropylene

### A447-DN50/40

Sink waste and trap with stainless steel grid DN115 and flexi overflow



Quantity (packing)	15 pcs
Quantity (pallet)	420 pcs
Material	polypropylene

PRE-WALL INSTALLATION SYSTEMS

VALVES

WC SEATS

LINEAR DRAINS

INDUSTRIAL STAINLESS STEEL DRAINAGE SYSTEM

OUTDOOR DRAINAGE SYSTEM

FLOOR DRAINS

WASTES AND TRAPS

FLEXI PIPES

WC ACCESSORIES

**A447P-DN50/40**

Sink waste and trap with stainless steel grid DN115, flexi overflow and connector



Quantity (packing)	15 pcs
Quantity (pallet)	420 pcs
Material	polypropylene

**A449-DN50/40**

Double sink wastes and trap with stainless steel grids DN70



Quantity (packing)	10 pcs
Quantity (pallet)	280 pcs
Material	polypropylene

**A449P-DN50/40**

Double sink wastes and trap with stainless steel grids DN70 and connector



Quantity (packing)	10 pcs
Quantity (pallet)	280 pcs
Material	polypropylene

**A453P**

Double sink wastes and trap with stainless steel grids DN115 and connector



Quantity (packing)	10 pcs
Quantity (pallet)	160 pcs
Material	polypropylene

**A454P**

Double sink wastes and trap with stainless steel grids DN115 and connector, two-level



Quantity (packing)	8 pcs
Quantity (pallet)	224 pcs
Material	polypropylene

**A800-DN40**

Sink waste and pipe trap with stainless steel grid DN70



Quantity (packing)	20 pcs
Quantity (pallet)	560 pcs
Material	polypropylene

**A800-DN50**

Sink waste and pipe trap with stainless steel grid DN70

**A810-DN40**

Sink waste and pipe trap with stainless steel grid DN70 and connector

**A810-DN50**

Sink waste and pipe trap with stainless steel grid DN70 and connector



Quantity (packing)	15 pcs
Quantity (pallet)	420 pcs
Material	polypropylene

**A820-DN40**

Sink waste and pipe trap with stainless steel grid DN70 and two connectors

**A820-DN50**

Sink waste and pipe trap with stainless steel grid DN70 and two connectors



Quantity (packing)	15 pcs
Quantity (pallet)	420 pcs
Material	polypropylene

**A830-DN50/40**

Sink waste and pipe trap with stainless steel grid DN70, connector and flexi pipe



Quantity (packing)	10 pcs
Quantity (pallet)	280 pcs
Material	polypropylene

### A840-DN50/40

Sink waste and pipe trap with stainless steel grid DN70, two connectors and flexi pipe



Quantity (packing)	10 pcs
Quantity (pallet)	280 pcs
Material	polypropylene

### A870P-DN40

Space conserving sink trap DN40 with a connector



Quantity (packing)	15 pcs
Quantity (pallet)	240 pcs
Material	polypropylene

### A464-DN50

Shower waste and trap DN80



Quantity (packing)	25 pcs
Quantity (pallet)	400 pcs
Material	polypropylene

### A8000

Universal sink trap set



Quantity (packing)	5 pcs
Quantity (pallet)	80 pcs
Material	polypropylene

### P067

Set of spare seals for sink traps



Quantity (packing)	-
Quantity (pallet)	-
Material	rubber

### P046

Pipe with rosette DN40



Quantity (packing)	50 pcs
Quantity (pallet)	1400 pcs
Material	PVC

### P047

Pipe with rosette DN50



Quantity (packing)	40 pcs
Quantity (pallet)	1120 pcs
Material	PVC

### P109

Space-saving connector 6/4"



Quantity (packing)	25 pcs
Quantity (pallet)	400 pcs
Material	polypropylene

### A443-DN50/40

Sink trap with coupling nut 6/4"



Quantity (packing)	25 pcs
Quantity (pallet)	700 pcs
Material	polypropylene

PRE-WALL INSTALLATION SYSTEMS

VALVES

WC SEATS

LINEAR DRAINS

INDUSTRIAL STAINLESS STEEL DRAINAGE SYSTEM

OUTDOOR DRAINAGE SYSTEM

FLOOR DRAINS

WASTES AND TRAPS

FLEXI PIPES

WC ACCESSORIES

**A443P-DN50/40**

Sink trap with coupling nut 6/4" and connector



Quantity (packing)	25 pcs
Quantity (pallet)	700 pcs
Material	polypropylene

**A448-DN50/40**

Double sink trap with coupling nut 6/4"



Quantity (packing)	10 pcs
Quantity (pallet)	280 pcs
Material	polypropylene

**A448P-DN50/40**

Double sink trap with coupling nut 6/4" and connector



Quantity (packing)	10 pcs
Quantity (pallet)	280 pcs
Material	polypropylene

**A80-DN40**

Pipe trap with coupling nut 6/4"



Quantity (packing)	20 pcs
Quantity (pallet)	560 pcs
Material	polypropylene

**A81-DN40**

Pipe trap with coupling nut 6/4" and connector



Quantity (packing)	15 pcs
Quantity (pallet)	420 pcs
Material	polypropylene

**A82-DN40**

Pipe trap with coupling nut 6/4" and two connectors



Quantity (packing)	15 pcs
Quantity (pallet)	420 pcs
Material	polypropylene

**A80-DN50**

Pipe trap with coupling nut 6/4"

**A81-DN50**

Pipe trap with coupling nut 6/4" and connector

**A82-DN50**

Pipe trap with coupling nut 6/4" and two connectors

**A83-DN50/40**

Pipe trap with coupling nut 6/4", connector and flexi pipe



Quantity (packing)	10 pcs
Quantity (pallet)	280 pcs
Material	polypropylene

**A84-DN50/40**

Pipe trap with coupling nut 6/4", two connectors and flexi pipe



Quantity (packing)	10 pcs
Quantity (pallet)	280 pcs
Material	polypropylene

**A872P**

Space-saving sink trap with a connector and coupling nut 6/4"



Quantity (packing)	15 pcs
Quantity (pallet)	420 pcs
Material	polypropylene



### A873

Universal trap, concealed, space-saving



Quantity (packing)	10 pcs
Quantity (pallet)	280 pcs
Material	polypropylene

### A33

Sink waste 6/4" with stainless steel grid DN70



Quantity (packing)	100 pcs
Quantity (pallet)	2800 pcs
Material	polypropylene

### A33P

Sink waste 6/4" with stainless steel grid DN70 and with connector



Quantity (packing)	75 pcs
Quantity (pallet)	2100 pcs
Material	polypropylene

### A331

Sink waste 6/4" with stainless steel grid DN70 and flexi overflow



Quantity (packing)	40 pcs
Quantity (pallet)	1120 pcs
Material	polypropylene

### A34

Raised sink waste 6/4" with stainless steel grid DN70



Quantity (packing)	100 pcs
Quantity (pallet)	2800 pcs
Material	polypropylene

### A37

Sink waste 6/4" with stainless steel grid DN115



Quantity (packing)	50 pcs
Quantity (pallet)	1400 pcs
Material	polypropylene

### A38

Sink waste 6/4" with stainless steel grid DN115 and flexi overflow



Quantity (packing)	30 pcs
Quantity (pallet)	840 pcs
Material	polypropylene

### A30

Adapter pipe 6/4" with connector



Quantity (packing)	75 pcs
Quantity (pallet)	2100 pcs
Material	polypropylene

### A44MN

Adapter pipe with coupling nut 6/4"



Quantity (packing)	25 pcs
Quantity (pallet)	400 pcs
Material	polypropylene

PRE-WALL INSTALLATION SYSTEMS

VALVES

WC SEATS

LINEAR DRAINS

INDUSTRIAL STAINLESS STEEL DRAINAGE SYSTEM

OUTDOOR DRAINAGE SYSTEM

FLOOR DRAINS

WASTES AND TRAPS

FLEXI PIPES

WC ACCESSORIES

**A44MS**

Adapter pipe with coupling nut 6/4" and connector



Quantity (packing)	25 pcs
Quantity (pallet)	400 pcs
Material	polypropylene

**A44M-DN40**

Adapter pipe with coupling nut 6/4" and two connectors



Quantity (packing)	25 pcs
Quantity (pallet)	700 pcs
Material	polypropylene

**A300**

Adapter pipe 5/4" with connector



Quantity (packing)	100 pcs
Quantity (pallet)	2800 pcs
Material	polypropylene

**S0506-ND**

Reduction 5/4"×6/4"



Quantity (packing)	100 pcs
Quantity (pallet)	3200 pcs
Material	polypropylene

**S0507-ND**

Reduction 6/4"×5/4"



Quantity (packing)	-
Quantity (pallet)	-
Material	polypropylene

**S0556-ND**

Reduction 6/4"×5/4"



Quantity (packing)	100 pcs
Quantity (pallet)	3200 pcs
Material	polypropylene

**P0048-ND**

Connector set G1"/17-23



Quantity (packing)	100 pcs
Quantity (pallet)	1600 pcs
Material	polypropylene

**P0049-ND**

Connector set G1"/8-16



Quantity (packing)	100 pcs
Quantity (pallet)	1600 pcs
Material	polypropylene

**P148**

Double connector G1"/17-23



Quantity (packing)	50 pcs
Quantity (pallet)	800 pcs
Material	polypropylene

**P148Z**

Double connector G1"/17–23 with return valves



Quantity (packing)	50 pcs
Quantity (pallet)	800 pcs
Material	polypropylene

**P149Z**

Double connector G1"/8–23 with return valves



Quantity (packing)	50 pcs
Quantity (pallet)	800 pcs
Material	polypropylene

**P066**

Set of spare seals for wash-basin traps



Quantity (packing)	-
Quantity (pallet)	-
Material	rubber

**P067**

Set of spare seals for sink traps



Quantity (packing)	-
Quantity (pallet)	-
Material	rubber

**S0156-ND**

Wrapping seal 50/40



Quantity (packing)	-
Quantity (pallet)	-
Material	rubber

**S0688-ND**

Wrapping seal 40/10



Quantity (packing)	-
Quantity (pallet)	-
Material	rubber

**Z0003-ND**

Wrapping seal 40/32



Quantity (packing)	-
Quantity (pallet)	-
Material	rubber

**Z0004-ND**

Wrapping seal 50/32



Quantity (packing)	-
Quantity (pallet)	-
Material	rubber

**Z0026-ND**

Wrapping seal 60/32



Quantity (packing)	-
Quantity (pallet)	-
Material	rubber

PRE-WALL INSTALLATION SYSTEMS

VALVES

WC SEATS

LINEAR DRAINS

INDUSTRIAL STAINLESS STEEL DRAINAGE SYSTEM

OUTDOOR DRAINAGE SYSTEM

FLOOR DRAINS

WASTES AND TRAPS

FLEXI PIPES

WC ACCESSORIES

**A22**

Rosette – cover piece of wash-basin overflow  
DN33



Quantity (packing)	200 pcs
Quantity (pallet)	5600 pcs
Material	chrome-plated plastic

**A21**

Rosette – cover piece of wash-basin overflow  
DN35



Quantity (packing)	200 pcs
Quantity (pallet)	5600 pcs
Material	chrome-plated plastic

**A45A**

Urinal trap with rubber sleeve



Quantity (packing)	25 pcs
Quantity (pallet)	700 pcs
Material	polypropylene

**A45B**

Urinal trap horizontal outlet DN40



Quantity (packing)	25 pcs
Quantity (pallet)	700 pcs
Material	polypropylene

**A45C**

Urinal trap vertical outlet DN40 and DN50



Quantity (packing)	25 pcs
Quantity (pallet)	700 pcs
Material	polypropylene

**A438**

Metal elbow DN32, 5/4" nut



Quantity (packing)	15 pcs
Quantity (pallet)	420 pcs
Material	chrome-plated metal

**A45E**

Bidet trap DN32 metal



Quantity (packing)	25 pcs
Quantity (pallet)	700 pcs
Material	chrome-plated metal

**A45F-DN32**

Wash-basin and bidet trap DN32 plastic

**A45F-DN40**

Wash-basin and bidet trap DN40 plastic



Quantity (packing)	25 pcs
Quantity (pallet)	700 pcs
Material	polypropylene

**A45G**

Bidet trap DN32 metal



Quantity (packing)	25 pcs
Quantity (pallet)	800 pcs
Material	chrome-plated metal

**ATS001**

Button urinal flushing valve



Quantity (packing)	20 pcs
Quantity (pallet)	560 pcs
Material	chrome-plated metal

PRE-WALL INSTALLATION SYSTEMS

VALVES

WC SEATS

LINEAR DRAINS

INDUSTRIAL STAINLESS STEEL DRAINAGE SYSTEM

OUTDOOR DRAINAGE SYSTEM

FLOOR DRAINS

WASTES AND TRAPS

FLEXI PIPES

WC ACCESSORIES

**AKS1**

Funnel trap for dripping condensate DN32



Quantity (packing)	50 pcs
Quantity (pallet)	1400 pcs
Material	polypropylene

**AKS1Z**

Funnel trap for dripping condensate DN32



Quantity (packing)	50 pcs
Quantity (pallet)	1400 pcs
Material	polypropylene

**AKS2**

Trap for dripping condensate DN40



Quantity (packing)	15 pcs
Quantity (pallet)	420 pcs
Material	polypropylene

**AKS3**

Trap for dripping condensate DN40



Quantity (packing)	15 pcs
Quantity (pallet)	420 pcs
Material	polypropylene

**AKS4**

Trap for dripping condensate, concealed, stainless steel DN40 and DN50



Quantity (packing)	25 pcs
Quantity (pallet)	400 pcs
Material	polypropylene

**AKS5**

Funnel trap for dripping condensate with tube holder DN32



Quantity (packing)	60 pcs
Quantity (pallet)	960 pcs
Material	polypropylene

**AKS6**

Reduction HT 40/50xG1/2"



Quantity (packing)	50 pcs
Quantity (pallet)	1400 pcs
Material	polypropylene

**AKS7**

Trap for dripping condensate, concealed, stainless steel DN40 and DN50



Quantity (packing)	25 pcs
Quantity (pallet)	400 pcs
Material	polypropylene

**APS1**

External washing machine trap, chrome



Quantity (packing)	100 pcs
Quantity (pallet)	2800 pcs
Material	chrome-plated ABS

**APS2**

External washing machine trap, white



Quantity (packing)	100 pcs
Quantity (pallet)	2800 pcs
Material	ABS

**APS3**

Concealed washing machine trap, stainless steel



Quantity (packing)	40 pcs
Quantity (pallet)	1120 pcs
Material	polypropylene

**APS3P**

Concealed washing machine trap with air-admittance valve, stainless steel DN40 and DN50



Quantity (packing)	25 pcs
Quantity (pallet)	400 pcs
Material	polypropylene

**APS4**

Concealed washing machine trap, white



Quantity (packing)	40 pcs
Quantity (pallet)	1120 pcs
Material	polypropylene

**APS5**

External washing machine trap with air-admittance valve, white



Quantity (packing)	75 pcs
Quantity (pallet)	2100 pcs
Material	ABS

**P148**

Double connector G1"/17-23



Quantity (packing)	50 pcs
Quantity (pallet)	800 pcs
Material	polypropylene

**P148Z**

Double connector G1"/17-23 with return valves



Quantity (packing)	50 pcs
Quantity (pallet)	800 pcs
Material	polypropylene

**P149Z**

Double connector G1"/8-23 with return valves



Quantity (packing)	50 pcs
Quantity (pallet)	800 pcs
Material	polypropylene

PRE-WALL INSTALLATION SYSTEMS

VALVES

WC SEATS

LINEAR DRAINS

INDUSTRIAL STAINLESS STEEL DRAINAGE SYSTEM

OUTDOOR DRAINAGE SYSTEM

FLOOR DRAINS

WASTES AND TRAPS

FLEXI PIPES

WC ACCESSORIES





# Flexi pipes

Flexi pipes	138
Flexi pipes+	139
Two-component seals	139

**A71**

Flexi pipe 40x40



Quantity (packing)	100 pcs
Quantity (pallet)	1600 pcs
Material	polyethylene

**A72**

Flexi pipe 50/40x40/50



Quantity (packing)	50 pcs
Quantity (pallet)	800 pcs
Material	polyethylene

**A73**

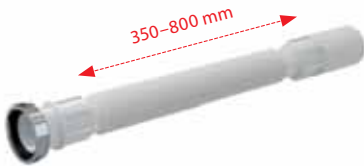
Flexi pipe 5/4"x40 plastic



Quantity (packing)	100 pcs
Quantity (pallet)	1600 pcs
Material	polyethylene

**A74**

Flexi pipe 5/4"x40 metal



Quantity (packing)	100 pcs
Quantity (pallet)	1600 pcs
Material	polyethylene

**A75**

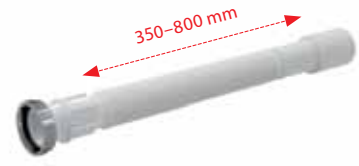
Flexi pipe 5/4"x32/40 plastic



Quantity (packing)	100 pcs
Quantity (pallet)	1600 pcs
Material	polyethylene

**A76**

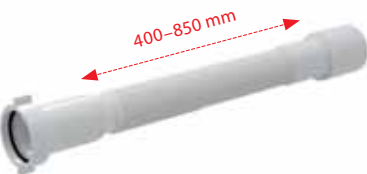
Flexi pipe 5/4"x32/40 metal



Quantity (packing)	100 pcs
Quantity (pallet)	1600 pcs
Material	polyethylene

**A77**

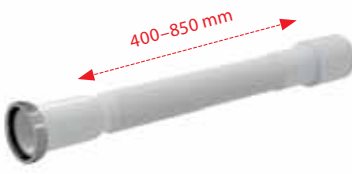
Flexi pipe 6/4"x40/50 plastic



Quantity (packing)	75 pcs
Quantity (pallet)	1200 pcs
Material	polyethylene

**A78**

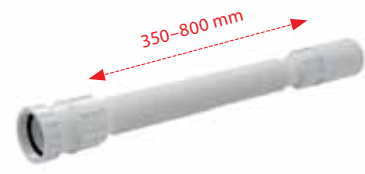
Flexi pipe 6/4"x40/50 metal



Quantity (packing)	75 pcs
Quantity (pallet)	1200 pcs
Material	polyethylene

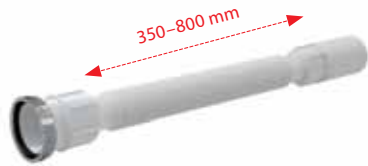
**A79**

Flexi pipe 6/4"x40 plastic



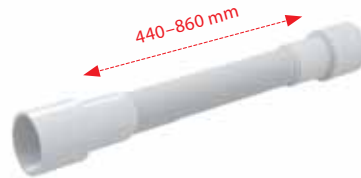
Quantity (packing)	100 pcs
Quantity (pallet)	1600 pcs
Material	polyethylene

**A790**  
Flexi pipe 6/4"x40 metal



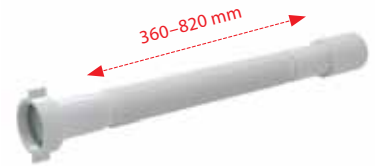
Quantity (packing)	100 pcs
Quantity (pallet)	1600 pcs
Material	polyethylene

**A702**  
Flexi pipe 50/40x40/50



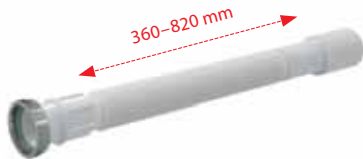
Quantity (packing)	50 pcs
Quantity (pallet)	800 pcs
Material	polypropylene

**A705**  
Flexi pipe 5/4"x32/40 plastic



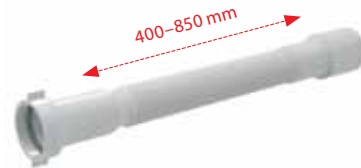
Quantity (packing)	100 pcs
Quantity (pallet)	1600 pcs
Material	polypropylene

**A706**  
Flexi pipe 5/4"x32/40 metal



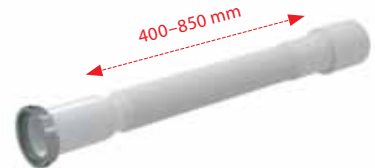
Quantity (packing)	100 pcs
Quantity (pallet)	1600 pcs
Material	polypropylene

**A707**  
Flexi pipe 6/4"x40/50 plastic



Quantity (packing)	75 pcs
Quantity (pallet)	1200 pcs
Material	polypropylene

**A708**  
Flexi pipe 6/4"x40/50 metal



Quantity (packing)	75 pcs
Quantity (pallet)	1200 pcs
Material	polypropylene

**A7990**  
Two-component seal 5/4"



Quantity (packing)	10 pcs
Quantity (pallet)	-
Material	elastomer

**A7991**  
Two-component seal 6/4"



Quantity (packing)	10 pcs
Quantity (pallet)	-
Material	elastomer

**A7992**  
Two-component seal 1"



Quantity (packing)	10 pcs
Quantity (pallet)	-
Material	elastomer

PRE-WALL INSTALLATION SYSTEMS

VALVES

WC SEATS

LINEAR DRAINS

INDUSTRIAL STAINLESS STEEL DRAINAGE SYSTEM

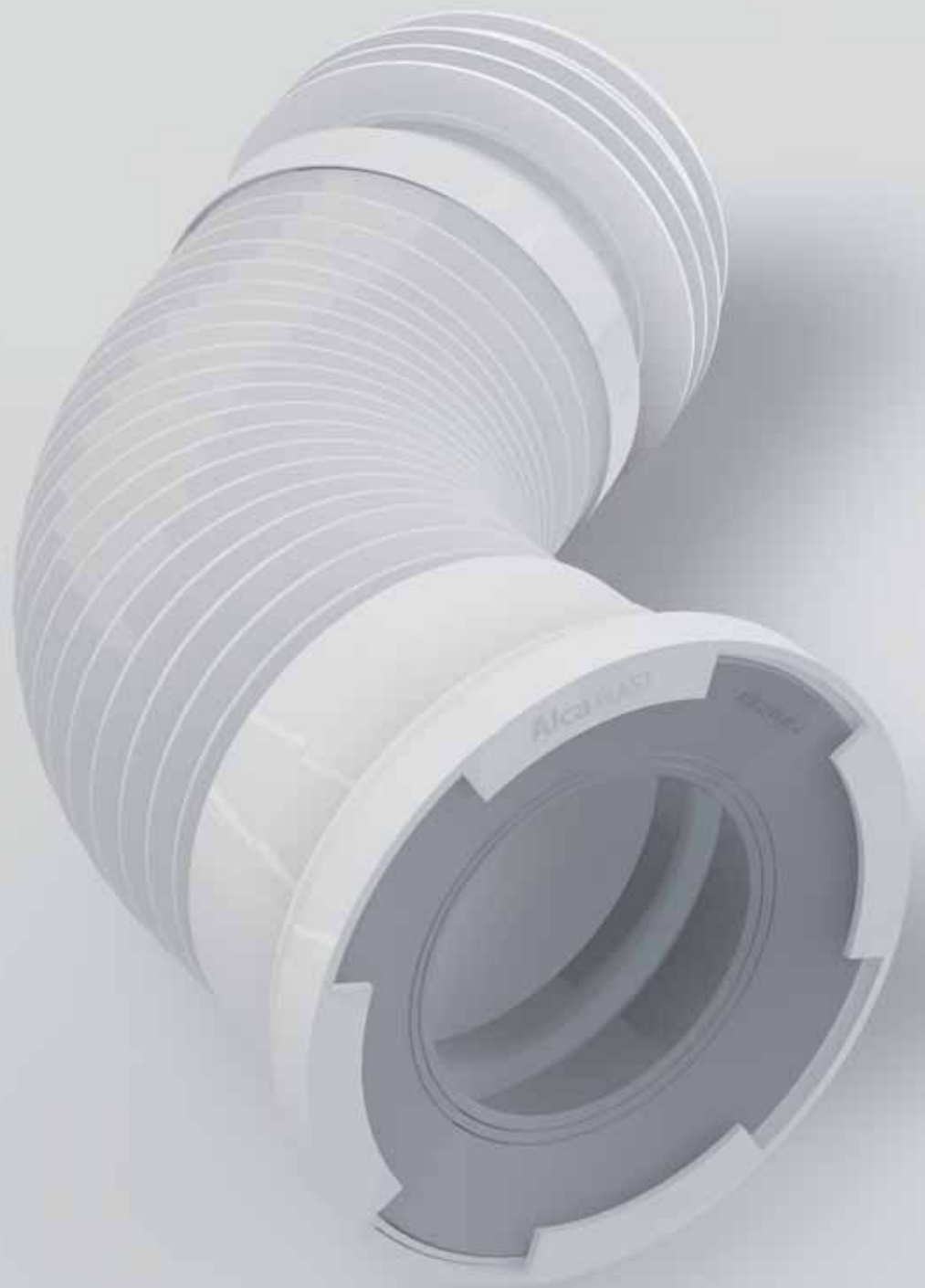
OUTDOOR DRAINAGE SYSTEM

FLOOR DRAINS

WASTES AND TRAPS

FLEXI PIPES

WC ACCESSORIES



# WC accessories

WC flexi connectors	142
WC connectors	142
Air admittance heads	144
Bath access doors	145

**A97**

WC flexi connector



Quantity (packing)	20 pcs
Quantity (pallet)	320 pcs
Material	polypropylene

**A97S**

WC flexi connector



Quantity (packing)	20 pcs
Quantity (pallet)	320 pcs
Material	polypropylene

**A970**

WC flexi connector



Quantity (packing)	20 pcs
Quantity (pallet)	320 pcs
Material	polypropylene

**M9006**

Elbow waste connector DN90/110 flexi



Quantity (packing)	25 pcs
Quantity (pallet)	400 pcs
Material	polypropylene

**A90-22**

WC connector – elbow 22°



Quantity (packing)	20 pcs
Quantity (pallet)	320 pcs
Material	polypropylene

**A90-45**

WC connector – elbow 45°



Quantity (packing)	20 pcs
Quantity (pallet)	320 pcs
Material	polypropylene

**A90-90**

WC connector – elbow 90°



Quantity (packing)	12 pcs
Quantity (pallet)	192 pcs
Material	polypropylene

**A90-90P40**

WC connector for DN40 – elbow 90°



Quantity (packing)	12 pcs
Quantity (pallet)	192 pcs
Material	polypropylene

**A91-150**

WC connector – length 150 mm



Quantity (packing)	30 pcs
Quantity (pallet)	480 pcs
Material	polypropylene

**A91-250**

WC connector – length 250 mm



Quantity (packing)	20 pcs
Quantity (pallet)	320 pcs
Material	polypropylene

**A91-400**

WC connector – length 400 mm



Quantity (packing)	15 pcs
Quantity (pallet)	240 pcs
Material	polypropylene

**A92**

WC connector eccentric 158 mm



Quantity (packing)	30 pcs
Quantity (pallet)	480 pcs
Material	polypropylene

**A98**

WC rosette DN110 small



Quantity (packing)	75 pcs
Quantity (pallet)	1200 pcs
Material	polypropylene

**A980**

WC rosette DN110 big



Quantity (packing)	30 pcs
Quantity (pallet)	480 pcs
Material	polypropylene

**A991**

WC connector straight



Quantity (packing)	35 pcs
Quantity (pallet)	560 pcs
Material	polypropylene

**A991-20**

WC connector eccentric 20 mm



Quantity (packing)	35 pcs
Quantity (pallet)	560 pcs
Material	polypropylene

**A991-40**

WC connector eccentric 40 mm



Quantity (packing)	35 pcs
Quantity (pallet)	560 pcs
Material	polypropylene

**A99**

WC collar straight



Quantity (packing)	50 pcs
Quantity (pallet)	800 pcs
Material	PVC

PRE-WALL INSTALLATION SYSTEMS

VALVES

WC SEATS

LINEAR DRAINS

INDUSTRIAL STAINLESS STEEL DRAINAGE SYSTEM

OUTDOOR DRAINAGE SYSTEM

FLOOR DRAINS

WASTES AND TRAPS

FLEXI PIPES

WC ACCESSORIES

**A990**

WC collar eccentric



Quantity (packing)	50 pcs
Quantity (pallet)	800 pcs
Material	PVC

**APH40**

Air admittance valve DN40



Quantity (packing)	300 pcs
Quantity (pallet)	4800 pcs
Material	polypropylene

**APH50**

Air admittance valve DN50



Quantity (packing)	50 pcs
Quantity (pallet)	1200 pcs
Material	polypropylene

**APH75**

Air admittance valve DN75



Quantity (packing)	50 pcs
Quantity (pallet)	800 pcs
Material	polypropylene

**APH110**

Air admittance valve DN110



Quantity (packing)	50 pcs
Quantity (pallet)	800 pcs
Material	polypropylene



**AVD001**

Bath access door 150x150, white



Quantity (packing)	60 pcs
Quantity (pallet)	760 pcs
Material	polypropylene

**AVD002**

Bath access door 150x300, white



Quantity (packing)	30 pcs
Quantity (pallet)	360 pcs
Material	polypropylene

**AVD003**

Bath access door 300x300, white



Quantity (packing)	16 pcs
Quantity (pallet)	96 pcs
Material	polypropylene

**AVD004**

Bath access door magnetic (under the tiles), adjustable height



Quantity (packing)	100 pcs
Quantity (pallet)	-
Material	metal

**AVD005**

Bath access door magnetic (under the tiles), basic



Quantity (packing)	100 pcs
Quantity (pallet)	-
Material	metal

PRE-WALL INSTALLATION SYSTEMS

VALVES

WC SEATS

LINEAR DRAINS

INDUSTRIAL STAINLESS STEEL DRAINAGE SYSTEM

OUTDOOR DRAINAGE SYSTEM

FLOOR DRAINS

WASTES AND TRAPS

FLEXI PIPES

WC ACCESSORIES

**PM01006EN**

Acrylic large showcase for bathtub waste and traps



**PM01003EN**

Acrylic large showcase for reduced shower wastes and traps



**PM01005UNI**

Acrylic stand for fill and flush valves



**PM02011EN**

Wooden stand for pre-wall installation system and flush plates



**PM02012UNI**

Stand for FLAT flush plates



**PM02001EN**

Stand for stainless steel linear shower drains



**PM02002EN**

Stand for plastic linear shower drains



**PM02004EN**

Large stand for plastic linear shower drains



**PM02015EN**

Stand for plastic linear shower drains



**PM02016UNI**

Design grids sample book



**PM03004UNI**

Stand for WC seats



**PM03007EN**

Stand for outdoor drains



**Table of size variants for bath wastes and traps**

L=570 ■ Hmax=370	L=800 ■ Hmax=600	L=1000 ■ Hmax=800	L=1200 ■ Hmax=1000
A501	-	-	-
A502	-	-	-
A504KM	A504KM-80	A504KM-100	A504KM-120
A505CRM	A505CRM-80	A505CRM-100	A505CRM-120
A505KM	A505KM-80	A505KM-100	A505KM-120
A507KM	A507KM-80	A507KM-100	A507KM-120
A51B	A51B-80	A51B-100	A51B-120
A51BM	A51BM-80	A51BM-100	A51BM-120
A51CR	A51CR-80	A51CR-100	A51CR-120
A51CRM	A51CRM-80	A51CRM-100	A51CRM-120
A553K	A553K-80	A553K-100	A553K-120
A553KM	A553KM-80	A553KM-100	A553KM-120
A54CRM	A54CRM-80	A54CRM-100	A54CRM-120
A55ANTIC	A55ANTIC-80	A55ANTIC-100	A55ANTIC-120
A55K	A55K-80	A55K-100	A55K-120
A55KM	A55KM-80	A55KM-100	A55KM-120
A56KM	A56KM-80	A56KM-100	A56KM-120
A566-112122	A566-112122-80	A566-112122-100	A566-112122-120

Lmax=230 ■ Hmax=400	Lmax=260 ■ Hmax=550	Lmax=280 ■ Hmax=750	Lmax=320 ■ Hmax=950
A550K	A550K-80	A550K-100	A550K-120
A550KM	A550KM-80	A550KM-100	A550KM-120

These products can be found on pages 112–114

**Table of size variants for bath wastes and traps with an overflow filler mechanism**

L=570 ■ Hmax=370	L=800 ■ Hmax=600	L=1000 ■ Hmax=800	L=1200 ■ Hmax=1000
A508KM	A508KM-80	A508KM-100	A508KM-120
A509KM	A509KM-80	A509KM-100	A509KM-120
A564CRM1	A564CRM1-80	A564CRM1-100	A564CRM1-120
A564CRM2	A564CRM2-80	A564CRM2-100	A564CRM2-120
A564CRM3	A564CRM3-80	A564CRM3-100	A564CRM3-120
A564KM1	A564KM1-80	A564KM1-100	A564KM1-120
A564KM3	A564KM3-80	A564KM3-100	A564KM3-120
A565CRM1	A565CRM1-80	A565CRM1-100	A565CRM1-120
A565CRM2	A565CRM2-80	A565CRM2-100	A565CRM2-120
A565CRM3	A565CRM3-80	A565CRM3-100	A565CRM3-120
A565KM1	A565KM1-80	A565KM1-100	A565KM1-120
A565KM3	A565KM3-80	A565KM3-100	A565KM3-120
A566-273133	A566-273133-80	A566-273133-100	A566-273133-120

These products can be found on pages 114–115

**Table of variants for shower waste and traps with connection for hydromassage showers**

		A46		A47B		A47CR	
		Ø50	Ø60	Ø50	Ø60	Ø50	Ø60
P		A46P8Ø50	A46P8Ø60	A47BP8Ø50	A47BP8Ø60	A47CRP8Ø50	A47CRP8Ø60
		A46P10Ø50	A46P10Ø60	A47BP10Ø50	A47BP10Ø60	A47CRP10Ø50	A47CRP10Ø60
		A46P12Ø50	A46P12Ø60	A47BP12Ø50	A47BP12Ø60	A47CRP12Ø50	A47CRP12Ø60
PK		A46PK8Ø50	A46PK8Ø60	A47BPK8Ø50	A47BPK8Ø60	A47CRPK8Ø50	A47CRPK8Ø60
		A46PK10Ø50	A46PK10Ø60	A47BPK10Ø50	A47BPK10Ø60	A47CRPK10Ø50	A47CRPK10Ø60
		A46PK12Ø50	A46PK12Ø60	A47BPK12Ø50	A47BPK12Ø60	A47CRPK12Ø50	A47CRPK12Ø60

		A48	A49B	A49CR	A49K	A49K mat
P		A48P8	A49BP8	A49CRP8	A49KP8	A49K mat P8
		A48P10	A49BP10	A49CRP10	A49KP10	A49K mat P10
		A48P12	A49BP12	A49CRP12	A49KP12	A49K mat P12
PK		A48PK8	A49BPK8	A49CRPK8	A49KPK8	A49K mat PK8
		A48PK10	A49BPK10	A49CRPK10	A49KPK10	A49K mat PK10
		A48PK12	A49BPK12	A49CRPK12	A49KPK12	A49K mat PK12

These products can be found on pages 117–118

Table of variants for shower drains and grids

Width of the shower corner (mm)								
–	600	700	800	900	1000	1100	1200	1500
<b>Linear shower drains: APZ13</b>								
–	–	–	APZ13-750	APZ13-850	APZ13-950	–	–	–
<b>Grids for: APZ13</b>								
–	–	–	INSERT-750	INSERT-850	INSERT-950	–	–	–
–	–	–	CODE-750L	CODE-850L	CODE-950L	–	–	–
–	–	–	CODE-750M	CODE-850M	CODE-950M	–	–	–
–	–	–	ROUTE-750L	ROUTE-850L	ROUTE-950L	–	–	–
–	–	–	ROUTE-750M	ROUTE-850M	ROUTE-950M	–	–	–
–	–	–	SMILE-750L	SMILE-850L	SMILE-950L	–	–	–
–	–	–	SMILE-750M	SMILE-850M	SMILE-950M	–	–	–
–	–	–	ZIP-750L	ZIP-850L	ZIP-950L	–	–	–
–	–	–	ZIP-750M	ZIP-850M	ZIP-950M	–	–	–
–	–	–	SPACE-750M	SPACE-850M	SPACE-950M	–	–	–
–	–	–	STREAM-750M	STREAM-850M	STREAM-950M	–	–	–
<b>Linear shower drains: APZ1, APZ101, APZ1001, APZ1101, APZ4, APZ104, APZ1004, APZ1104, APZ2001, APZ12, APZ22, APZ2012, APZ2022</b>								
APZ1-300	APZ1-550	APZ1-650	APZ1-750	APZ1-850	APZ1-950	APZ1-1050	APZ1-1150	APZ1-1450
APZ101-300	APZ101-550	APZ101-650	APZ101-750	APZ101-850	APZ101-950	APZ101-1050	APZ101-1150	APZ101-1450
–	APZ4-550	APZ4-650	APZ4-750	APZ4-850	APZ4-950	APZ4-1050	APZ4-1150	–
–	APZ104-550	APZ104-650	APZ104-750	APZ104-850	APZ104-950	APZ104-1050	APZ104-1150	–
APZ1001-300	APZ1001-550	APZ1001-650	APZ1001-750	APZ1001-850	APZ1001-950	APZ1001-1050	APZ1001-1150	–
APZ1101-300	APZ1101-550	APZ1101-650	APZ1101-750	APZ1101-850	APZ1101-950	APZ1101-1050	APZ1101-1150	–
–	APZ1004-550	APZ1004-650	APZ1004-750	APZ1004-850	APZ1004-950	APZ1004-1050	APZ1004-1150	–
–	APZ1104-550	APZ1104-650	APZ1104-750	APZ1104-850	APZ1104-950	APZ1104-1050	APZ1104-1150	–
APZ2001-300	APZ2001-550	APZ2001-650	APZ2001-750	APZ2001-850	APZ2001-950	APZ2001-1050	APZ2001-1150	–
–	–	–	APZ12-750	APZ12-850	APZ12-950	APZ12-1050	–	–
–	–	–	APZ22-750	APZ22-850	APZ22-950	–	–	–
–	APZ2012-550	APZ2012-650	APZ2012-750	APZ2012-850	–	–	–	–
–	APZ2022-550	APZ2022-650	APZ2022-750	APZ2022-850	–	–	–	–
<b>Grids for: APZ1, APZ101, APZ1001, APZ1101, APZ4, APZ104, APZ1004, APZ1104, APZ2001, APZ12, APZ22, APZ2012, APZ2022</b>								
LINE-300L	LINE-550L	LINE-650L	LINE-750L	LINE-850L	LINE-950L	LINE-1050L	LINE-1150L	LINE-1450L
LINE-300M	LINE-550M	LINE-650M	LINE-750M	LINE-850M	LINE-950M	LINE-1050M	LINE-1150M	LINE-1450M
PURE-300L	PURE-550L	PURE-650L	PURE-750L	PURE-850L	PURE-950L	PURE-1050L	PURE-1150L	PURE-1450L
PURE-300M	PURE-550M	PURE-650M	PURE-750M	PURE-850M	PURE-950M	PURE-1050M	PURE-1150M	PURE-1450M
CUBE-300L	CUBE-550L	CUBE-650L	CUBE-750L	CUBE-850L	CUBE-950L	CUBE-1050L	CUBE-1150L	–
CUBE-300M	CUBE-550M	CUBE-650M	CUBE-750M	CUBE-850M	CUBE-950M	CUBE-1050M	CUBE-1150M	–
HOPE-300L	HOPE-550L	HOPE-650L	HOPE-750L	HOPE-850L	HOPE-950L	HOPE-1050L	HOPE-1150L	–
HOPE-300M	HOPE-550M	HOPE-650M	HOPE-750M	HOPE-850M	HOPE-950M	HOPE-1050M	HOPE-1150M	–
BUBLE-300L	BUBLE-550L	BUBLE-650L	BUBLE-750L	BUBLE-850L	BUBLE-950L	BUBLE-1050L	BUBLE-1150L	BUBLE-1450L
BUBLE-300M	BUBLE-550M	BUBLE-650M	BUBLE-750M	BUBLE-850M	BUBLE-950M	BUBLE-1050M	BUBLE-1150M	BUBLE-1450M
DREAM-300L	DREAM-550L	DREAM-650L	DREAM-750L	DREAM-850L	DREAM-950L	DREAM-1050L	DREAM-1150L	–
DREAM-300M	DREAM-550M	DREAM-650M	DREAM-750M	DREAM-850M	DREAM-950M	DREAM-1050M	DREAM-1150M	–
<b>Grids for: APZ12, APZ22, APZ2012, APZ2022</b>								
–	TILE-550	TILE-650	TILE-750	TILE-850	TILE-950	TILE-1050	–	–
–	SOLID-550M	SOLID-650M	SOLID-750M	SOLID-850M	SOLID-950M	SOLID-1050M	–	–
<b>Linear shower drains: APZ6, APZ106, APZ1006, APZ1106, APZ16, APZ116, APZ1016, APZ1116</b>								
APZ6-300	APZ6-550	APZ6-650	APZ6-750	APZ6-850	APZ6-950	APZ6-1050	APZ6-1150	–
APZ106-300	APZ106-550	APZ106-650	APZ106-750	APZ106-850	APZ106-950	APZ106-1050	APZ106-1150	–
APZ1006-300	APZ1006-550	APZ1006-650	APZ1006-750	APZ1006-850	APZ1006-950	APZ1006-1050	APZ1006-1150	–
APZ1106-300	APZ1106-550	APZ1106-650	APZ1106-750	APZ1106-850	APZ1106-950	APZ1106-1050	APZ1106-1150	–
APZ16-300	APZ16-550	APZ16-650	APZ16-750	APZ16-850	APZ16-950	APZ16-1050	APZ16-1150	–
APZ116-300	APZ116-550	APZ116-650	APZ116-750	APZ116-850	APZ116-950	APZ116-1050	APZ116-1150	–
APZ1016-300	APZ1016-550	APZ1016-650	APZ1016-750	APZ1016-850	APZ1016-950	APZ1016-1050	APZ1016-1150	–
APZ1116-300	APZ1116-550	APZ1116-650	APZ1116-750	APZ1116-850	APZ1116-950	APZ1116-1050	APZ1116-1150	–
<b>Grids for: APZ6, APZ106, APZ1006, APZ1106, APZ16, APZ116, APZ1016, APZ1116</b>								
DESIGN-300LN	DESIGN-550LN	DESIGN-650LN	DESIGN-750LN	DESIGN-850LN	DESIGN-950LN	DESIGN-1050LN	DESIGN-1150LN	–
DESIGN-300MN	DESIGN-550MN	DESIGN-650MN	DESIGN-750MN	DESIGN-850MN	DESIGN-950MN	DESIGN-1050MN	DESIGN-1150MN	–
DESIGN-300ANTIC	DESIGN-550ANTIC	DESIGN-650ANTIC	DESIGN-750ANTIC	DESIGN-850ANTIC	DESIGN-950ANTIC	DESIGN-1050ANTIC	DESIGN-1150ANTIC	–
POSH-300MN	POSH-550MN	POSH-650MN	POSH-750MN	POSH-850MN	POSH-950MN	POSH-1050MN	POSH-1150MN	–
GL1200-300	GL1200-550	GL1200-650	GL1200-750	GL1200-850	GL1200-950	GL1200-1050	GL1200-1150	–
GL1202-300	GL1202-550	GL1202-650	GL1202-750	GL1202-850	GL1202-950	GL1202-1050	GL1202-1150	–
GL1204-300	GL1204-550	GL1204-650	GL1204-750	GL1204-850	GL1204-950	GL1204-1050	GL1204-1150	–
MI1200-300	MI1200-550	MI1200-650	MI1200-750	MI1200-850	MI1200-950	MI1200-1050	MI1200-1150	–
MI1205-300	MI1205-550	MI1205-650	MI1205-750	MI1205-850	MI1205-950	MI1205-1050	MI1205-1150	–
MI1206-300	MI1206-550	MI1206-650	MI1206-750	MI1206-850	MI1206-950	MI1206-1050	MI1206-1150	–
MI1207-300	MI1207-550	MI1207-650	MI1207-750	MI1207-850	MI1207-950	MI1207-1050	MI1207-1150	–
FLOOR-300	FLOOR-550	FLOOR-650	FLOOR-750	FLOOR-850	FLOOR-950	FLOOR-1050	FLOOR-1150	–
GAP-300M	GAP-550M	GAP-650M	GAP-750M	GAP-850M	GAP-950M	GAP-1050M	GAP-1150M	–

**Linear shower drains: APZ11, APZ111, APZ1011, APZ1111 (grid is included)**

APZ11-300L	APZ11-550L	APZ11-650L	APZ11-750L	APZ11-850L	APZ11-950L	APZ11-1050L	APZ11-1150L	-
APZ11-300M	APZ11-550M	APZ11-650M	APZ11-750M	APZ11-850M	APZ11-950M	APZ11-1050M	APZ11-1150M	-
APZ111-300L	APZ111-550L	APZ111-650L	APZ111-750L	APZ111-850L	APZ111-950L	APZ111-1050L	APZ111-1150L	-
APZ111-300M	APZ111-550M	APZ111-650M	APZ111-750M	APZ111-850M	APZ111-950M	APZ111-1050M	APZ111-1150M	-
APZ1011-300L	APZ1011-550L	APZ1011-650L	APZ1011-750L	APZ1011-850L	APZ1011-950L	APZ1011-1050L	APZ1011-1150L	-
APZ1011-300M	APZ1011-550M	APZ1011-650M	APZ1011-750M	APZ1011-850M	APZ1011-950M	APZ1011-1050M	APZ1011-1150M	-
APZ1111-300L	APZ1111-550L	APZ1111-650L	APZ1111-750L	APZ1111-850L	APZ1111-950L	APZ1111-1050L	APZ1111-1150L	-
APZ1111-300M	APZ1111-550M	APZ1111-650M	APZ1111-750M	APZ1111-850M	APZ1111-950M	APZ1111-1050M	APZ1111-1150M	-

**Waste system: APZ5 (the cover is included in the waste system)**

-	-	APZ5-EDEN-650	APZ5-EDEN-750	APZ5-EDEN-850	APZ5-EDEN-950	APZ5-EDEN-1050	-	-
-	-	APZ5-SHADE-650	APZ5-SHADE-750	APZ5-SHADE-850	APZ5-SHADE-950	APZ5-SHADE-1050	-	-
-	-	APZ5-TWIN-650	APZ5-TWIN-750	APZ5-TWIN-850	APZ5-TWIN-950	APZ5-TWIN-1050	-	-

**Plastic linear shower drains: APZ8, APZ9, APZ10 (grid is included)**

-	APZ8-550M	APZ8-650M	APZ8-750M	APZ8-850M	APZ8-950M	-	-	-
-	APZ9-550M	APZ9-650M	APZ9-750M	APZ9-850M	APZ9-950M	-	-	-
-	APZ10-550M	APZ10-650M	APZ10-750M	APZ10-850M	APZ10-950M	-	-	-

ARZ1 – grids TIME, LIFE, GRACE, TRITON, VIEW

These products can be found on pages 57–71


**Swimming pool gratings variants**

Grid name	Type of grid	Height of the grid (mm)	Width of the grid (mm)	Grid length (mm)	Grid code
AP1	Without anti-slip	25	195	1 000	AP1-195/1000
			245	1 000	AP1-245/1000
			295	1 000	AP1-295/1000
AP2	Without anti-slip	35	195	1 000	AP2-195/1000
			245	1 000	AP2-245/1000
			295	1 000	AP2-295/1000
AP3	With anti-slip	25	195	1 000	AP3-195/1000
			245	1 000	AP3-245/1000
			295	1 000	AP3-295/1000
AP4	With anti-slip	35	195	1 000	AP4-195/1000
			245	1 000	AP4-245/1000
			295	1 000	AP4-295/1000
AP1R	Without anti-slip	25	195	1 000	AP1-195-R/1000
			245	1 000	AP1-245-R/1000
			295	1 000	AP1-295-R/1000
AP2R	Without anti-slip	35	195	1 000	AP2-195-R/1000
			245	1 000	AP2-245-R/1000
			295	1 000	AP2-295-R/1000
AP3R	With anti-slip	25	195	1 000	AP3-195-R/1000
			245	1 000	AP3-245-R/1000
			295	1 000	AP3-295-R/1000
AP4R	With anti-slip	35	195	1 000	AP4-195-R/1000
			245	1 000	AP4-245-R/1000
			295	1 000	AP4-295-R/1000

These products can be found on page 75

Code	Page	Code	Page	Code	Page	Code	Page
A02	39	A42	119	A55KM	113	ADZ301V	82
A03	39	A420	119	A564CRM1	114	ADZ301VR	84
A03A	39	A420P	119	A564CRM2	114	ADZ302V	83
A05	39	A421	119	A564CRM3	114	ADZ302VR	85
A06	40	A42P	119	A564KM1	114	ADZ-P001	82
A06/850	40	A42R	120	A564KM3	114	ADZ-P002	83
A06E	40	A43	120	A565CRM1	114	ADZ-P003	82
A07	40	A430	120	A565CRM2	115	ADZ-P004	83
A08A	39	A430P	120	A565CRM3	115	ADZ-P005	82
A09A	40	A431	124	A565KM1	115	ADZ-P006	83
A09B	40	A432	124	A565KM3	115	ADZ-P007	82
A104/1000	31	A4320	124	A566-112122-57	115	ADZ-P008	83
A104/1120	30	A4320BLACK	124	A566-273133-57	115	ADZ-R101	82
A104/1200	30	A434	120	A60	46	ADZ-R101R	84
A104/850	31	A437	124	A601	46	ADZ-R102	82
A104A/1120	30	A438	124	A601 BAHAMA	46	ADZ-R102R	84
A104A/1200	30	A438	133	A601 PERGAMON	46	ADZ-R103	82
A104AVS/1120	30	A439	121	A601 PISTACHIO	46	ADZ-R103R	84
A104AVS/1200	30	A43P	120	A602	46	ADZ-R104	82
A104B/1120	31	A441-DN50/40	125	A603	46	ADZ-R104R	84
A104B/1200	31	A441P-DN50/40	125	A604	46	ADZ-R121	83
A104PB/1120	31	A442-DN50/40	125	A604 BAHAMA	48	ADZ-R121R	85
A105/1000	32	A442P-DN50/40	125	A604 FLOWER	48	ADZ-R122	83
A105/1120	32	A443-DN50/40	127	A604 PERGAMON	48	ADZ-R122R	85
A105/1200	31	A443P-DN50/40	128	A604 PISTACHIO	48	ADZ-R123	83
A105/450	32	A444-DN50/40	125	A604 SHELL	48	ADZ-R123R	85
A105/850	32	A444P-DN50/40	125	A604 ZEN	48	ADZ-R124	83
A106/1120	32	A446-DN50/40	125	A606	48	ADZ-R124R	85
A106/1200	32	A446P-DN50/40	125	A64SLIM	48	ADZ-R301	82
A107/1120	33	A447-DN50/40	125	A66	48	ADZ-R301R	84
A107/1200	33	A447P-DN50/40	126	A67	50	ADZ-R302	82
A107S/1200	33	A448-DN50/40	128	A6745	50	ADZ-R302R	84
A108/1300	33	A448P-DN50/40	128	A67SLIM	50	ADZ-R303	82
A108F/1100	33	A449-DN50/40	126	A68	50	ADZ-R303R	84
A108F/1500	33	A449P-DN50/40	126	A702	139	ADZ-R304	82
A113/1120	34	A44M-DN40	130	A705	139	ADZ-R304R	84
A113/1200	34	A44MN	129	A706	139	ADZ-R321	83
A114/1120	34	A44MS	130	A707	139	ADZ-R321R	85
A114/1200	34	A453P	126	A708	139	ADZ-R322	83
A114S/1200	34	A454P	126	A71	138	ADZ-R322R	85
A117B	35	A45A	133	A72	138	ADZ-R323	83
A117PB	35	A45B	133	A73	138	ADZ-R323R	85
A15-1/2"	38	A45C	133	A74	138	ADZ-R324	83
A15-3/8"	38	A45E	133	A75	138	ADZ-R324R	85
A15P-1/2"	38	A45F-DN32	120	A76	138	AEZ310	28
A15P-3/8"	38	A45F-DN32	133	A77	138	AEZ311	28
A16-1/2"	38	A45F-DN40	120	A78	138	AEZ320	28
A16-3/8"	38	A45F-DN40	133	A79	138	AEZ331	28
A16M-3/8"	38	A45G	133	A790	139	AEZ340	28
A16P-3/8"	38	A461-50	116	A7990	139	AGV1	98
A17-1/2"	38	A462-50	116	A7991	139	AGV15	98
A17-3/8"	39	A464-DN50	127	A7992	139	AGV2	98
A18-1/2"	39	A46-50	117	A8000	127	AGV25	98
A18-3/8"	39	A465-50	117	A800-DN40	126	AGV3	98
A2000	39	A46-60	117	A800-DN50	126	AGV35	98
A21	132	A466-50	117	A80-DN40	128	AGV4	98
A22	132	A471CR-50	118	A80-DN50	128	AGV45	98
A30	129	A471CR-60	118	A810-DN40	126	AGV911	98
A300	130	A476-50	118	A810-DN50	126	AGV911S	99
A31	121	A47B-50	117	A81-DN40	128	AGV941	99
A31P	121	A47B-60	117	A81-DN50	128	AGV942	99
A32	121	A47CR-50	117	A820-DN40	126	AHP80	73
A328B	122	A47CR-60	117	A820-DN50	126	AIR	23, 25
A328CR	122	A48	117	A82-DN40	128	AIR LIGHT	25
A33	129	A491CR	118	A82-DN50	128	AIR-INOX	25
A331	129	A492CR	119	A830-DN50/40	126	AIZ1	108
A33P	129	A49ANTIC	118	A83-DN50/40	128	AIZ3	108
A34	129	A49B	118	A840-DN50/40	127	AKS1	134
A3550	50	A49CR	118	A84-DN50/40	128	AKS1Z	134
A3551	50	A49K	118	A870P-DN40	127	AKS2	134
A3553	50	A49K MAT	118	A872P	128	AKS3	134
A37	129	A501	112	A873	129	AKS4	134
A38	129	A502	112	A90-22	142	AKS5	134
A39	122	A503KM	116	A90-45	142	AKS6	134
A390	122	A504KM	113	A90-90	142	AKS7	134
A391	121	A505CRM	113	A90-90P40	142	ALCA LIGHT	68
A392	121	A505KM	114	A91-150	142	AM100/1000	10
A392ANTIC	121	A506KM	116	A91-250	143	AM100/1000E	10
A392B	121	A507BLACK	113	A91-400	143	AM100/850	11
A392BLACK	121	A507KM	113	A92	143	AM101/1000	14
A393	122	A508KM	114	A93-1/2"	40	AM101/1120	12
A394	122	A509KM	114	A93-3/8"	40	AM101/1120D	13
A395	122	A51B	112	A94-1/2"	40	AM101/1120E	12
A395B	122	A51BM	112	A94-3/8"	40	AM101/1120V	13
A396	122	A51CR	112	A95	41	AM101/1300H	13
A400	123	A51CRM	112	A950	41	AM101/850	14
A4000	124	A52	116	A97	142	AM102/1000	15
A400ANTIC	123	A531	116	A970	142	AM102/1120	14
A400BLACK	123	A532-DN50	116	A975	142	AM102/1120E	15
A401	123	A533-DN50	116	A98	143	AM102/1120V	15
A402	123	A53-6/4"	115	A980	143	AM102/850	16
A403	124	A53-7/4"	116	A99	143	AM1101/1200	17
A41	119	A53-DN40	115	A990	144	AM1112	17
A410	119	A53-DN50	115	A991	143	AM1115/1000	17
A410P	119	A550K	113	A991-20	143	AM112	10
A411	119	A550KM	113	A991-40	143	AM115/1000	11
A412-DN40	119	A553K	113	AC01	18	AM115/1000E	11
A413	119	A553KM1	113	ADZ101V	82	AM115/1000V	12
A41P	119	A55ANTIC	112	ADZ101VR	84	AM116/1120	16
A41PR	120	A55BLACK	112	ADZ102V	83	AM116/1300H	16
A41R	120	A55K	112	ADZ102VR	85	AP1	75

Code	Page	Code	Page	Code	Page	Code	Page
AP1R	75	APZ1	60	AVZ-P003	97	MPO13	26
AP2	75	APZ101	60	AVZ-P004	97	MPV001	107
AP2R	75	APZ10	70	AVZ-P005	97	MPV001-ANTIC	107
AP3	75	APZ1001	60	AVZ-P006	97	MPV002	107
AP3R	75	APZ1101	60	AVZ-P007	97	MPV003	107
AP4	75	APZ1004	61	AVZ-P008	97	MPV004	107
AP4R	75	APZ1104	61	AVZ-P009	97	MPV011	102
APH110	144	APZ1006	62	AVZ-P010	97	MPV012	102
APH40	144	APZ1106	62	AVZ-P012	97	MPV013	102
APH50	144	APZ1011	67	AVZ-P013	97	MPV014	102
APH75	144	APZ1111	67	BUBBLE	60, 61, 66, 67, 71, 72	MPV015	102
APR1-1101	78	APZ1016	64	CODE	57, 58, 59	MPV016	102
APR1-1101S	78	APZ1116	64	CUBE	60, 61, 66, 71, 72	MS906	19
APR1-1102	78	APZ11	67	DESIGN	62, 64	N0020-ND	43
APR1-1131	79	APZ111	67	DESIGN-ANTIC	62, 64	NIGHT LIGHT-1	22, 25
APR1-1132	78	APZ12	71	DREAM	60, 61, 66, 71, 72	NIGHT LIGHT-2	22, 25
APR1-1133	78	APZ13	57, 58, 59	FLOOR	63, 65	NIGHT LIGHT-3	22, 25
APR1-1134	78	APZ16	64	FUN	23, 25	P0009B-ND	52
APR1-1150	78	APZ116	64	FUN-ANTIC	25	P0014-ND	43
APR1-1151	78	APZ2001	66	FUN-INOX	25	P0048-ND	130
APR1-1152	78	APZ2012	72	FUN-WHITE	25	P0049-ND	130
APR1-1201	78	APZ2022	72	GAP	62, 64	P046	127
APR1-1201S	78	APZ22	71	GL1200	63, 65	P047	127
APR1-1202	78	APZ4	61	GL1202	63, 65	P066	120
APR1-1231	79	APZ104	61	GL1204	63, 65	P066	131
APR1-1232	78	APZ5-EDEN	68	GRACE	69	P067	127
APR1-1233	78	APZ5-SHADE	68	HOPE	60, 61, 66, 71, 72	P067	131
APR1-1234	78	APZ5-TWIN	68	INSERT	57, 58, 59	P095	73
APR1-1250	78	APZ6	62	LIFE	69	P096	52
APR1-1251	78	APZ106	62	LINE	60, 61, 66, 71, 72	P102	46
APR1-1252	78	APZ8	70	M147	19	P103	18
APR1-P010	79	APZ9	70	M148	20	P105	52
APR1-P109	79	APZ-S12	59	M1710	24	P105B	52
APR2-1101	80	APZ-S6	57	M1710-8	24	P106	52
APR2-1101S	80	APZ-S9	58	M1713	24	P106B	52
APR2-1102	80	ARV001	123	M1718	24	P109	127
APR2-1131	80	ARV001-ANTIC	123	M1720-1	24	P113	52
APR2-1150	80	ARV001-BLACK	123	M1721	24	P115	18
APR2-1151	80	ARV002	123	M1722	24	P118	20
APR2-1152	80	ARZ1	69	M1725	24	P120	26
APR2-1201	80	ASP3	27	M1728-2	24	P128	18
APR2-1201S	80	ASP3-B	27	M1741	24	P148	130, 135
APR2-1202	80	ASP3-K	27	M270	24	P148Z	131, 135
APR2-1231	80	ASP3-KB	27	M271	24	P149Z	131, 135
APR2-1250	80	ASP3-KBT	27	M272	24	POSH	62, 64
APR2-1251	80	ASP3-KT	27	M275	24	PURE	60, 61, 66, 71, 72
APR2-1252	80	ASP4	27	M278	24	ROUTE	57, 58, 59
APR2-P010	80	ASP4-B	27	M279	25	S0156-ND	131
APR2-P109	80	ASP4-K	27	M279S	25	S0506-ND	130
APS1	135	ASP4-KB	27	M279SB	25	S0507-ND	130
APS2	135	ASP4-KT	27	M370	24	S0556-ND	130
APS3	135	ATS001	133	M370S	25	S0688-ND	131
APS3P	135	AVD001	145	M370SB	25	SA08A-1/2"	42
APS4	135	AVD002	145	M371	24	SA08A-3/8"	42
APS5	135	AVD003	145	M371S	25	SA08AK-1/2"	42
APV0006	107	AVD004	145	M371SB	25	SA08AK-3/8"	42
APV0010	107	AVD005	145	M372	24	SA08AS-1/2"	42
APV0020	107	AVZ101-R101	88	M375	24	SA08AS-3/8"	42
APV0030	107	AVZ101-R121	93	M378	24	SA08ASK-1/2"	42
APV0050	108	AVZ101-R122	94	M470	24	SA08ASK-3/8"	43
APV0060	108	AVZ101-R123	95	M471	24	SA2000-1/2"	41
APV0800	108	AVZ101-R124	96	M472	24	SA2000-3/8"	41
APV1	105	AVZ101-R321	93	M475	24	SA2000K-1/2"	41
APV10	105	AVZ101-R322	94	M478	24	SA2000K-3/8"	41
APV101	103	AVZ101-R323	95	M570	24	SA2000S-1/2"	41
APV102	103	AVZ101-R324	96	M571	24	SA2000S-3/8"	41
APV103	103	AVZ101R-R101S	88	M572	24	SA2000SK-1/2"	42
APV11	106	AVZ101R-R121R	93	M575	24	SA2000SK-3/8"	42
APV110	102	AVZ101R-R122R	94	M578	24	SMILE	57, 58, 59
APV12	105	AVZ101R-R123R	95	M70	24	SOLID	71, 72
APV120	102	AVZ101R-R124R	96	M71	24	SPACE	57, 58, 59
APV13	105	AVZ101R-R321R	93	M72	24	STING	23, 25
APV130	102	AVZ101R-R322R	94	M73	24	STING-INOX	25
APV1311	104	AVZ101R-R323R	95	M75	24	STREAM	57, 58, 59
APV1321	104	AVZ101R-R324R	96	M90	20	STRIPE	23, 25
APV1324	104	AVZ101S-R121R	93	M900	19	STRIPE-BLACK	25
APV15	106	AVZ101S-R122R	94	M9000	19	STRIPE-GL1200	25
APV16	106	AVZ101S-R123R	95	M9006	18	STRIPE-GL1204	25
APV2	105	AVZ101S-R124R	96	M9006	142	STRIPE-INOX	25
APV201	103	AVZ101S-R321R	93	M901	19	STRIPE-WHITE	25
APV202	103	AVZ101S-R322R	94	M902	19	TILE	71, 72
APV203	103	AVZ101S-R323R	95	M906	18	TIME	69
APV2311	104	AVZ101S-R324R	96	M907	19	TRITON	69
APV2321	104	AVZ102-R102	88	M908	19	TURN	23, 25
APV2324	104	AVZ102-R103	90	M909	19	TURN-INOX	25
APV26	104	AVZ102R-R102S	88	M91	20	V0011-ND	43
APV26C	104	AVZ102R-R103S	90	M910	20	V0015-ND	43
APV3	106	AVZ103-R104	91	M910CR	20	V0018-ND	43
APV31	105	AVZ103-R201	92	M918	20	V0296-ND	43
APV32	105	AVZ103-R202	91	M920	21	VIEW	69
APV3344	103	AVZ103-R403	90	M930	20	WC ALCA	18
APV3444	103	AVZ103R-R104S	91	M930CR	20	WC RIMFLOW	18
APV4	106	AVZ103R-R201	92	M940	21	WS ALCA	18
APV4344	103	AVZ103R-R202	91	M950	21	Z0003-ND	131
APV4444	104	AVZ103R-R403	90	M11200	63, 65	Z0004-ND	131
APV5111	106	AVZ104-R401	89	M11205	63, 65	Z0026-ND	131
APV5211	106	AVZ104-R402	89	M11206	63, 65	Z0137-ND	52
APV5411	105	AVZ104R-R401	89	M11207	63, 65	Z0952-ND	52
APV6111	106	AVZ104R-R402	89	MPO10	26	ZIP	57, 58
APV6211	106	AVZ-P001	97	MPO11	26		
APV6411	105	AVZ-P002	97	MPO12	26		

The ALCAPLAST team of specialists is always on hand to help with design, installation and quote project prices!

Czech product  
ISO 9001:2015

Edition 1/2018 EN, © Alca plast, s. r. o.  
Changes in dimensions and designs reserved.



EN 55014-1, EN 55014-2, EN 61000-6, EN 61000-4 NV  
616/2006 Sb. Coll. as amended 2011/95/EC including  
amendments

# Alca PLAST<sup>®</sup>

CZECH REPUBLIC

---

Alca plast, s. r. o.  
Bratislavská 2846, 690 02 Břeclav  
tel.: +420 519 821 117 – Sales Dept. CZ  
tel.: +420 519 821 141 – Export Dept.  
fax: +420 519 821 083  
e-mail: [alcaplast@alcaplast.cz](mailto:alcaplast@alcaplast.cz)  
[www.alcaplast.com](http://www.alcaplast.com)

